



Item#: **55348**

LED 2x4 PANEL

2X4 LUMINARIES FOR AMBIENT LIGHTING OF INTERIOR COMMERCIAL SPACES

FEATURES

- High Efficiency, Energy Saving
- Up to 36% Savings vs. T8 Fluorescent
- Low glare, bright consistent lighting
- For covered ceilings only
- Earthquake proof hooks included

APPLICATION

Ideal for retrofitting inefficient fixtures in malls, hospitals, airports, offices, lobbies and other residential and commercial applications.

ELECTRICAL

Wattage	65W
Voltage	120-277V
Current	0.54-0.23A
Power Factor	0.9
Total Harmonic Distortion (THD)	15

LIGHTING PERFORMANCE

Lumens	6630
Lumens Per Watt (Lm/W)	102
Color Temperature (CCT)	4000K
Color Rendering (CRI)	80
R9 (Red Value)	11
R13 (Skin Tones)	84
Beam Angle	120°
Light Distribution	Type VS
Dimmable Lighting Control	<i>Dimmable</i> 1-10V, Range 10% - 100%

ENVIRONMENT

Operating Temperature	-4° ~ 122°F
Suitable Location	DAMP
Ingress Protection Rating	IP40

LIFESPAN

Average Life (Hours)	50,000
Warranty (Years)	5

COMPONENTS

LED Light Source	Samsung 1228
Driver	XZ-PK60B-420145

CONSTRUCTION

Housing	Aluminum
Lens	PMMA
Base / Power Supply	Hard Wired
Finish	White

QUALIFICATIONS



Visit www.designlights.org/search to confirm qualification. - Published lumens on LED products are approximate and may vary slightly.

PERFORMANCE DATA

PACKAGING

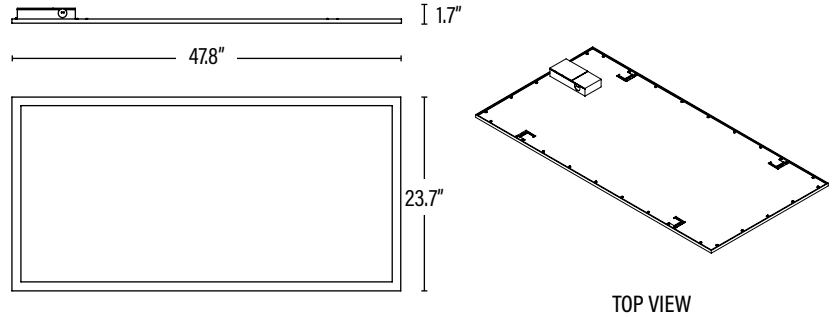
Item#: **55348**
LED 2x4 PANEL



DIMENSIONS (Inches)

Length	47.8"
Width/Diameter	23.7"
Height	1.7"
Weight (Lbs)	13.5

Line drawings may not be to scale and are for general reference only.



SUPPORTING DOCUMENTS (Grey = not available at this time.)

Product Sheet	VIEW
Install Instructions	VIEW
IES Download from Web Item	VIEW
LM79	VIEW
LM80	VIEW

PACKAGING

		UPC	DIMENSIONS (LxWxH)	GROSS WEIGHT (Lbs)
Master Carton	2	10811768025733	50.3" x 25.8" x 3.3"	30
Individual Item	1	811768025736	See Dimensions Above	
Country of Origin	China			
HS Tariff	9405.40.6000			

ORDERING

ITEM#	DESCRIPTION	CASE
55348	LED 2X4 PANEL - 65W/40K/120-277V/DIMMABLE/V5 - SUPERIOR LIFE® DLC	2

ACCESSORIES/REPLACEMENT PARTS

55325	2X4 SURFACE MOUNTED KIT FOR LED PANEL/WHITE - SUPERIOR LIFE®	1
55129	2X4 FLANGE KIT FOR PANEL & TROFFER/WHITE - SUPERIOR LIFE®	1
55324	2X2 or 2X4 SUSPENDED CABLE MOUNTING KIT FOR LED PANEL - SUPERIOR LIFE®	1
55319	EMERGENCY PACK FOR LED FIXTURE 8W/90 MIN	1
55320	EMERGENCY PACK FOR LED FIXTURE 16W/90 MIN	1
55321	EMERGENCY PACK FOR LED FIXTURE 25W/90 MIN	1
55357	MOUNTING BRACKET FOR EMERGENCY BATTERY FOR 2X2 OR 2X4 LED PANEL	1
XZ-PK60B-420145	65W REPLACEMENT LED POWER SUPPLY	1

ADDITIONAL INFORMATION:

Family Item: 55347/3500K · 55349/5000K

PERFORMANCE DATA

PACKAGING