



Item#: **83632**

LED STEALTH™ FIXTURE

OUTDOOR POLE/ARM-MOUNTED AREA AND ROADWAY LUMINAIRES - ARCHITECTURAL FLOOD AND SPOT LUMINAIRES

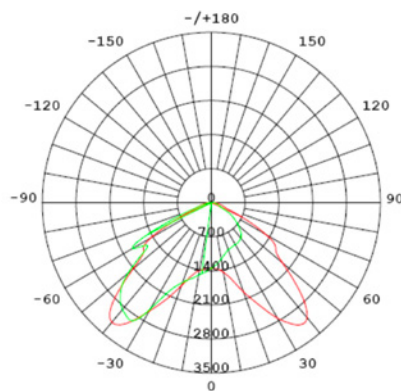
FEATURES

- Elegant and modern appearance.
- Die cast aluminum housing.
- Dimming and Occupancy Sensor (Merrytek MC601V).
- Instant-On, No Flickering or Humming.
- Consume up to 80% less energy and are environmentally friendly.
- Surge protection device provides single phase protection.

APPLICATION

Parking lot, street and building perimeter lighting.

LIGHT DISTRIBUTION CURVE



ELECTRICAL

Wattage	150W
Voltage	100-277V
Current	1.218A
Power Factor	0.9
Total Harmonic Distortion (THD)	12.2

LIGHTING PERFORMANCE

Lumens	17300
Lumens Per Watt (Lm/W)	115
Color Temperature (CCT)	5000K
Color Rendering (CRI)	80
R9 (Red Value)	9
R13 (Skin Tones)	83
Beam Angle	130°
Light Distribution	Type III, Very Short
Dimmable Lighting Control	<i>Dimmable</i> Merrytek MC601V

ENVIRONMENT

Operating Temperature	-22° ~ 113°F
Suitable Location	WET
Ingress Protection Rating	IP65

LIFESPAN

Average Life (Hours)	50,000
Warranty (Years)	5

COMPONENTS

LED Light Source	Luxeon 3030 2D
Driver	Sosen SS-150H-42B

CONSTRUCTIONS

Housing	Aluminum / PC
Base / Power Supply	Hard Wired / Surge Protector
Finish	Bronze
Effective Projected Area (EPA)	0.21 m ²

CERTIFICATIONS



Published lumens on LED products are approximate and may vary slightly. - Please check DLC website for the most current list of approved items - www.designlights.org

PERFORMANCE DATA

PACKAGING

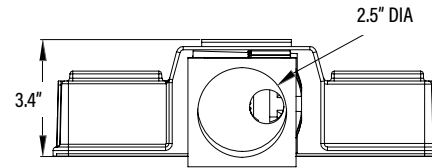
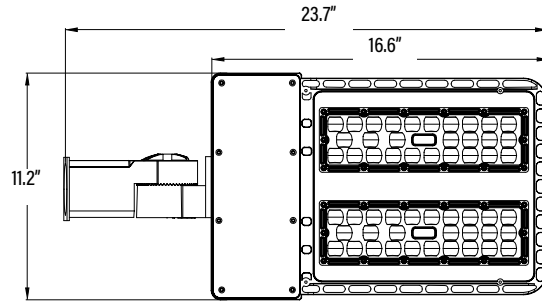
Item#: **83632**
LED STEALTH™ FIXTURE



DIMENSIONS (Inches)

Length	23.7"
Width/Diameter	11.2"
Height	3.4"
Weight (Lbs)	13.2

Line drawings may not be to scale and are for general reference only.



SUPPORTING DOCUMENTS (Grey = not available at this time.)

Product Sheet	VIEW
Occupancy Sensor	VIEW
Surge Protector	VIEW
Install Instructions	VIEW
IES Download from Web Item	VIEW
LM79	VIEW
LM80	VIEW

PACKAGING

		UPC	DIMENSIONS (LxWxH)	GROSS WEIGHT (Lbs)
Master Carton	1pc	854432004491	--	--
Country of Origin	China			
HS Tariff	9405.40.6000			

ORDERING

ITEM#	DESCRIPTION	CASE
83632	LED STEALTH™ 150W/50K/100-277V/SLIP FITTER/BRZ/DIMM & OCC SENSOR - SUPERIOR LIFE® DLC	1

ACCESSORIES/REPLACEMENT PART

83610	ADAPTER FROM ROUND TO FLAT POLE/BRONZE - SUPERIOR LIFE®	1
83612	ADAPTER TO MOUNT A SLIP FITTER ON A FLAT POLE OR WALL/BRONZE - SUPERIOR LIFE®	1
83611	TRUNNION U MOUNT BRACKET FOR STEALTH™/BRONZE - SUPERIOR LIFE®	1
83585	PHOTO CONTROL FOR LED STEALTH™ FIXTURE - SUPERIOR LIFE®	1

ADDITIONAL INFORMATION:

Family Item(s): 83596 - Bronze Finish
 83622 - White Finish

PERFORMANCE DATA

PACKAGING