



Item#: **84103**  
**LED STADIUM LIGHT**

**OUTDOOR POLE/ARM-MOUNTED AREA AND ROADWAY LUMINAIRES - ARCHITECTURAL FLOOD AND SPOT LUMINAIRES**

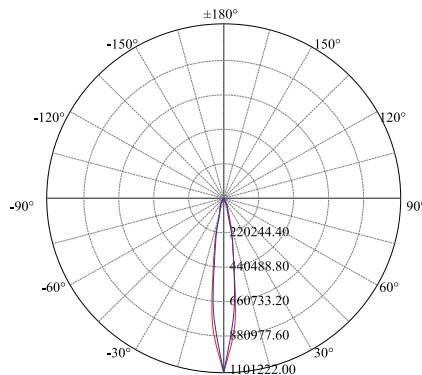
**FEATURES**

- Elegant and modern appearance.
- Numerous vents to improve heat management.
- Solid state design.
- Multi-faceted optic design to distribute light evenly and reduce glare.
- Advanced technology, no electrical interference.
- 240° adjustable angle.
- Surge protection device provides single phase protection.

**APPLICATION**

Arenas, gymnasiums, plazas, airports, courtyards and public areas.

**LIGHT DISTRIBUTION CURVE**



**ELECTRICAL**

Wattage	605W
Voltage	100-277V
Power Factor	0.9
Total Harmonic Distortion (THD)	11.9

**LIGHTING PERFORMANCE**

Lumens	79538
Lumens Per Watt (Lm/W)	131
Color Temperature (CCT)	5000K
Color Rendering (CRI)	74
R9 (Red Value)	N/A
R13 (Skin Tones)	N/A
Beam Angle	40°
Light Distribution	Type I, Very Short

Dimmable Lighting Control



**ENVIRONMENT**

Operating Temperature	-22° ~ 122°F
Suitable Location	<b>WET</b>
Ingress Protection Rating	IP66

**LIFESPAN**

Average Life (Hours)	50,000
Warranty (Years)	<b>5</b>

**COMPONENTS**

LED Light Source	Osram Duris® P8
Driver	HLG-150H-48B (4 ea.)

**CONSTRUCTION**

Housing	Aluminum
Lens	PC
Base / Power Supply	Hard Wired
Finish	Black
Effective Projected Area (EPA)	2.29 ft²
Wind Shear Rating	116.8 mph

**QUALIFICATIONS**

Model Number	L-STDM-600-MV-1-50K
--------------	---------------------



Visit [www.designlights.org/search](http://www.designlights.org/search) to confirm qualification. - Published lumens on LED products are approximate and may vary slightly.

PERFORMANCE DATA

PACKAGING

Item#: **84103**  
**LED STADIUM LIGHT**



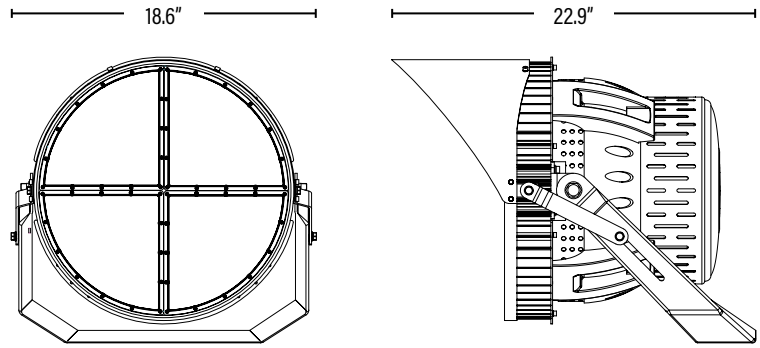
**DIMENSIONS** (Inches)

Length	22.9"
Width/Diameter	18.6"
Height	--
Weight (Lbs)	61.3

Line drawings may not be to scale and are for general reference only.

**SUPPORTING DOCUMENTS** (Grey = not available at this time.)

Product Sheet	VIEW
Surge Protector	VIEW
Install Instructions	VIEW
IES Download from Web Item	VIEW
Photometric	VIEW
LM79	VIEW
LM80	VIEW



**PACKAGING**

Master Carton	1pc
Country of Origin	China
HS Tariff	9405.40.8200

**UPC**

811768020595

**DIMENSIONS** (LxWxH)

24.8" x 24.8" 24.8"

**GROSS WEIGHT** (Lbs)

69.9

**ORDERING** \* Qualification Model # L-STDM-600-MV-1-50K

ITEM#	DESCRIPTION	CASE
84103	LED 600W STADIUM/50K/40°/100-277V - SUPERIOR LIFE® DLC®	1

**ADDITIONAL INFORMATION:**

Item may be special order; please consult with P.Q.L.

PERFORMANCE DATA

PACKAGING