

LED PANEL

INSTALL INSTRUCTIONS



PLEASE FIND A QUALIFIED ELECTRICIAN FOR INSTALLATION. Please read the instructions before you install and use the luminaire.

WARNING, CAUTIONS AND OPERATING INSTRUCTIONS

- To reduce the risk of death, personal injury or property damage from fire, electric shock, falling parts, cuts/abrasions, and other hazards read all warnings and instructions included with and on the fixture box and all fixture labels.
- Before installing, servicing, or performing routine maintenance upon this equipment, follow these general precautions.
- Commercial installation, service and maintenance of luminaires should be performed by a qualified licensed electrician.
- For The installation: If you are unsure about the installation or maintenance of the luminaires, consult a qualified licensed electrician and check your local electrical code.
- To prevent wiring damage or abrasion, do not expose wiring to edges of sheet metal or other sharp objects.
- Do not make or alter any open holes in an enclosure of wiring or electrical components during kit installation.

WARNING: RISK OF FIRE OR ELECTRICAL SHOCK

- Turn off electrical power at fuse or circuit breaker box before wiring fixture to the power supply.
- Turn off the power when you perform any maintenance.
- Verify that supply voltage is correct by comparing it with the luminaire label information.
- Make all electrical and grounded connections in accordance with the National Electrical Code and any applicable local code requirements.
- All wiring connections should be capped with UL approved wire connectors.

CAUTION: RISK OF INJURY

- Avoid direct eye exposure to the light source while it is on.
- Account for small parts and destroy packing material, as these may be hazardous to children.
- Do not relocate Green ground screw provided, is in the proper location.
- Minimum 90° supply connectors.
- Suitable for Dry or Damp locations, Type IC

! WARNING - TURN OF POWER SUPPLY FROM MAIN CIRCUIT BREAKER BEFORE INSTALLING OR SERVICING.

RECESSED MOUNTING

1. Carefully unpack unit and properly inspect for defects before installing. Wear work gloves to prevent dirt and oil from being transferred to the luminaire. If cleaning is needed, use gloves and a dry cotton cloth. It is not recommended to use hazardous chemicals.

2. Lift up four mounting clips on the sides of the luminaire. You can do it by hand (wear work gloves) or use pliers. (Fig. 1)

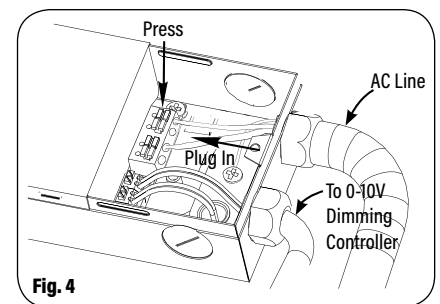
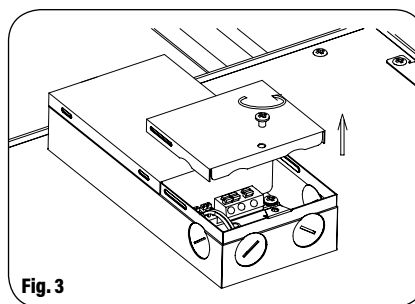
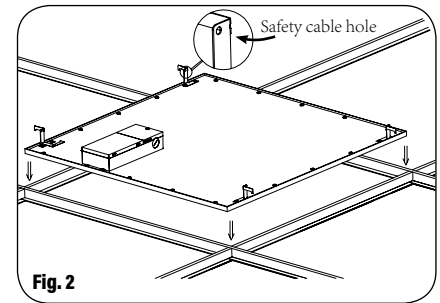
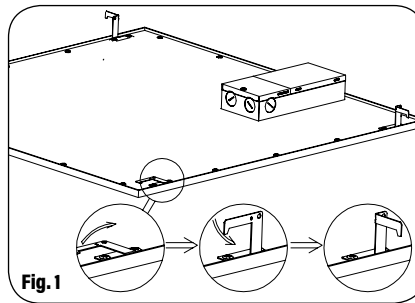
3. Insert luminaire into T-bar ceiling grid. Secure safety cable to connection hole as needed to meet local seismic requirements. (Fig. 2)

Safety cable and method of attachment to the building is established by contractor according to local building codes.

4. Remove electrical enclosure cover. (Fig. 3) Carefully remove knockout for AC line input wires. If using the 0-10V dimming controller; wires must run through a separate knockout than the AC input wire. Install listed electrical fittings in the knockout holes for wire protection if needed. (Fig. 4)

5. Follow wire connection instructions. Plug in AC line (L and N and GND) to the LED Driver using 18-14AWG Wire. (Fig. 5)

6. Replace and secure electrical enclosure cover. Installation complete.



GENERAL WIRING DIAGRAM

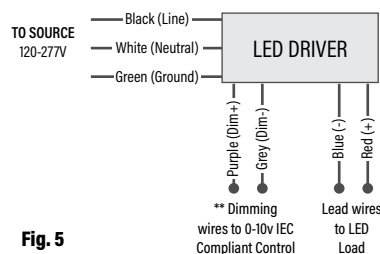


Fig. 5

LED PANEL

INSTALL INSTRUCTIONS



CABLE SUSPENDED MOUNTING *(Kit Sold Separately)*

1. Replace the existing earthquake tabs with the provided brackets which are used for fixing adjustable cables. (Fig. 6)
2. Pull the end cap of cable A through the provided flange and make sure the end cap is positioned in the flange. Attach the flanges to the ceiling by the self-tapping screws. (Fig. 7)
3. Insert the end of cable A into the hasp attachment on cable B then adjust cable A to the desired height and adjust cable B to the desired angle. (Fig. 7)
4. Hook the luminaire up to the hooks attached to the ends of cable B and make final adjustments. (Fig. 7)
5. Connect LED driver to AC main power. (Fig. 5)

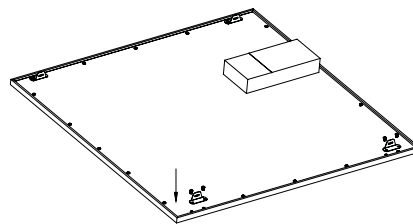


Fig. 6

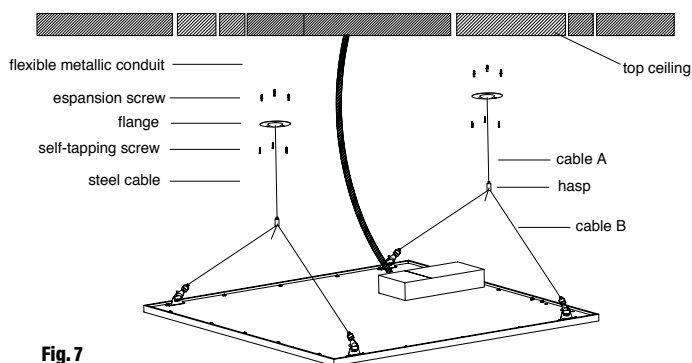


Fig. 7

SURFACE MOUNTING KIT *(Kit Sold Separately)*

1. Assemble the mounting frame with the screws and the connection plate. (Fig. 8)
2. Mount the frame on the ceiling with screws. (Fig. 9) Make sure that the wire is long enough for Step 4.
3. After mounting the frame onto ceiling, remove one side of the mounting frame. (Fig. 10)
4. Connect the wires from main to the LED driver, then slide in the LED panel unit into the frame. (Fig. 11)
5. Replace the side frame back on.

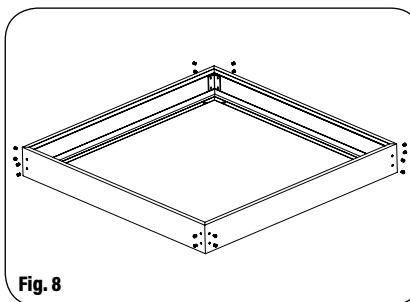


Fig. 8

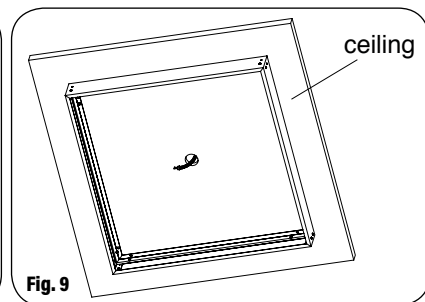


Fig. 9

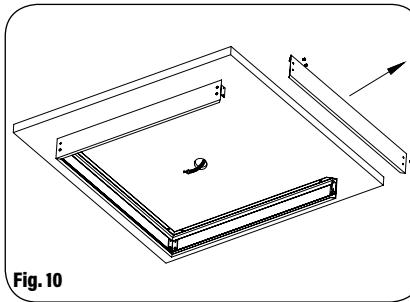


Fig. 10

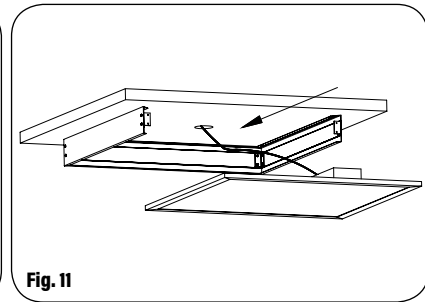


Fig. 11

EMERGENCY BATTERY BACK UP MOUNTING BRACKET

Mounting bracket is required when using the emergency battery. *(Battery and Bracket are sold separately.)*

