



Item#: **50100**
LANDSCAPE LIGHTING
BRASS DEL MAR FLOOD LIGHT

The Del Mar Flood is a heavy duty low voltage outdoor flood that uses a LED bi-pin lamp. The fixture head easily adjusts for precise lighting.

FEATURES

- Tempered heat resistant flat glass
- PTFE 250C, 300V, Teflon wire with half strip included.
- Silicone Wire Nuts are included.


APPLICATION

Ideal for wall washing, area illumination and landscape lighting.

ELECTRICAL

Supported Lamp Type	JC
Voltage	12V
Base Type	G4

LIGHTING PERFORMANCE

Beam Angle	45°
Dimmable Lighting Control	

ENVIRONMENT

Suitable Location	WET
Ingress Protection Rating	IP65

LIFESPAN

Warranty (Years)	5
------------------	----------

CONSTRUCTION

Housing	Brass
Lens	Glass
Base / Power Supply	Hard Wired
Finish	Bronze

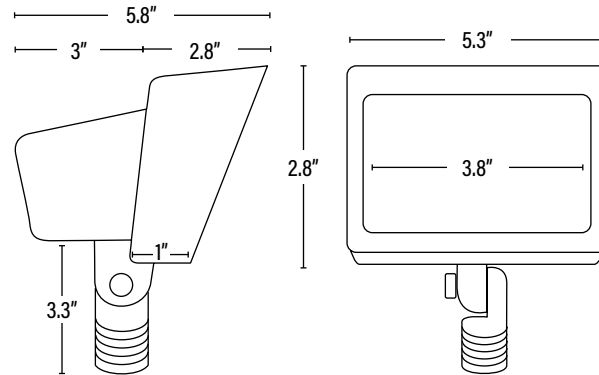
Specifications are subject to change without notice.

Item#: **50100**
LANDSCAPE LIGHTING



DIMENSIONS (Inches)

Length (MOL)	5.3"
Width/Diameter (MOD)	5.8"
Height	See Line Drawing
Weight (Lbs)	--



SUPPORTING DOCUMENTS (Grey = not available at this time.)

Product Sheet	VIEW
Install Instructions	VIEW

PACKAGING		UPC	DIMENSIONS (LxWxH)	GROSS WEIGHT (Lbs)
Master Carton	10	10811768027812	--	--
Individual Box	1	811768027815	--	--
Country of Origin	China			
HS Tariff	9405.99.4090			

ORDERING

ITEM#	DESCRIPTION	CASE
50100	BRASS DEL MAR FLOOD/CL LENS/G4/12V - W/PLASTIC SPIKE	10

ACCESSORIES

90615	LED 2WJC/30K/12V/G4	100
50145	LANDSCAPE TRANSFORMER/100W/12-15V/STAINLESS STEEL	1
50146	LANDSCAPE TRANSFORMER/300W/12-15V/STAINLESS STEEL	1
50148	7 DAY PROGRAMMABLE TIMER FOR LANDSCAPE TRANSFORMER	1
50149	PLUG-IN PHOTO CELL FOR LANDSCAPE TRANSFORMER	1
50125	BRASS MOUNTING BASS - 1/2" THREADED CENTER	50
50128	ABS MOUNTING STAKE FOR LANDSCAPE FIXTURES	100
50130	LARGE PVC MOUNTING STAKE FOR LANDSCAPE FIXTURES	100
50135	BLACK SILICONE WIRE NUT/20 PACK	20
82192	8/2 WIRE	Per Foot
82196	10/2 WIRE	Per Foot
82199	12/2 WIRE	Per Foot

REPLACEMENT PARTS

501008	REPLACEMENT LENS FOR ITEM 50100/BRASS DEL MAR FLOOD	1
--------	---	---

ITEM INFORMATION