



Item#: **50106**  
**LANDSCAPE LIGHTING**  
BRASS CATALINA NARROW FLOOD

The Catalina narrow flood is a heavy duty low voltage outdoor flood that uses a LED MR16 lamp. The Fixture head easily adjusts for precise lighting.

**FEATURES**

- PTFE 250C, 300V, Teflon wire with half strip included
- Silicone Wire Nuts are included
- Borosilicate heat resistant convex glass


**APPLICATION**

Ideal for wall washing, area illumination and landscape lighting.

**ELECTRICAL**

Supported Lamp Type	MR16
Voltage	12V
Base	GU5.3

**LIGHTING PERFORMANCE**

Beam Angle	Flood
Dimmable Lighting Control	

**ENVIRONMENT**

Suitable Location	<b>WET</b>
Ingress Protection Rating	IP65

**LIFESPAN**

Warranty (Years)	<b>5</b>
------------------	----------

**CONSTRUCTION**

Housing	Brass
Lens	Glass / Clear
Base / Power Supply	Hard Wired
Finish	Bronze

*Specifications are subject to change without notice.*

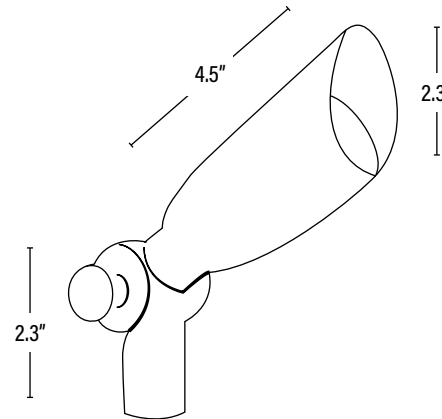
Item#: **50106**  
**LANDSCAPE LIGHTING**



ITEM INFORMATION

**DIMENSIONS** (Inches)

Length (MOL)	4.5"
Width/Diameter (MOD)	2.3"
Weight (Lbs)	--



**SUPPORTING DOCUMENTS** (Grey = not available at this time.)

Product Sheet	VIEW
Install Instructions	VIEW

PACKAGING		UPC	DIMENSIONS (LxWxH)	GROSS WEIGHT (Lbs)
Master Carton	20	10811768027850	--	--
Individual Box	1	811768027853	--	--
Country of Origin	China			
HS Tariff	9405.99.4090			

**ORDERING**

ITEM#	DESCRIPTION	CASE
50106	BRASS CATALINA NARROW FLOOD/MR16/12V - W/PLASTIC SPIKE	20

**ACCESSORIES**

91784	LED 7WMR16/30K/35°/DIMM/12V/GU5.3 - <b>ENERGY STAR® T20C</b>	12
91785	LED 7WMR16/50K/35°/DIMM/12V/GU5.3 - <b>ENERGY STAR® T20C</b>	12
50145	LANDSCAPE TRANSFORMER/100W/12-15V/STAINLESS STEEL	1
50146	LANDSCAPE TRANSFORMER/300W/12-15V/STAINLESS STEEL	1
50148	7 DAY PROGRAMMABLE TIMER FOR LANDSCAPE TRANSFORMER	1
50149	PLUG-IN PHOTO CELL FOR LANDSCAPE TRANSFORMER	1
50125	BRASS MOUNTING BASS - 1/2" THREADED CENTER	50
50128	ABS MOUNTING STAKE FOR LANDSCAPE FIXTURES	100
50130	LARGE PVC MOUNTING STAKE FOR LANDSCAPE FIXTURES	100
50135	BLACK SILICONE WIRE NUT 20 PACK	20
82192	8/2 WIRE	Per Foot
82196	10/2 WIRE	Per Foot
82199	12/2 WIRE	Per Foot

**REPLACEMENT PARTS**

501068	REPLACEMENT LENS FOR ITEM 50106/BRASS CATALINA NARROW FLOOD	1
--------	---	---