



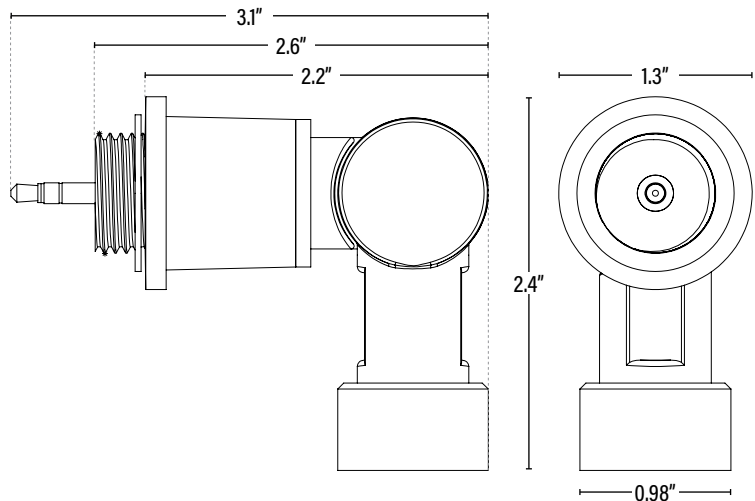
Item#: **54876**
QUICK CONNECT ADJUSTABLE ELBOW
ACCESSORY

APPLICATION

Swivel quick connect adjustable elbow for select ISO fixtures that use sensors 54871 or 54872.

DIMENSIONS (Inches)

Length	3.1"
Width	1.3"
Height	2.4"
Net Weight (Lbs)	--



PACKAGING

		UPC	DIMENSIONS (LxWxH)	GROSS WEIGHT (Lbs)
Master Carton	100	10811768023562	16.5" x 16.5" x 7.3"	--
Individual Item	1	811768023565	3.1" x 3.1" x 1.6"	--
Country of Origin	China			
HS Tariff	--			

ORDERING

ITEM#	DESCRIPTION	CASE
54876	EXTERNAL SWIVEL QUICK CONNECT ADJUSTABLE ELBOW FOR 54871/54872	100

COMPATIBLE SENSORS

54871	BI-LEVEL PIR MOTION & DAYLIGHT SCREW-IN SENSOR FOR ISO STRIPS & VAPOR TIGHTS/40FT • REQUIRES 12-24VDC AUX	100
54872	BI-LEVEL MICROWAVE MOTION & DAYLIGHT SCREW-IN SENSOR FOR ISO STRIPS & VAPOR TIGHTS/40FT • REQUIRES 12-24VDC AUX	100