



Item#: **54888**  
**BI-LEVEL & DAYLIGHT HARVEST  
MICROWAVE SENSOR**  
FIXTURE ACCESSORY

**FEATURES**

- Slim, low-profile sensor.
- Provides multi-level control based on motion and/or daylight contribution.
- 26' range sensitivity detector.
- Works with ballasts or LED drivers.
- Adjustable light levels and stand-by time.

**APPLICATION**

Designed for use in canopy fixtures.

**ELECTRICAL**

Voltage	120V-277 VAC 50/60 Hz	
Load Requirements	Resistive / Tungsten	600W @ 120V
	Electronic Ballast (LED)	800W / 1200W @ 120V / 277V
HF System	5.8GHz CW	

**PERFORMANCE**

Detection Angle	360°
Detection Radius	26'
Max. Mounting Height	40'
Adjustable Time Delay	10 Sec. - 30 Min.
Adjustable Light Control	10 - 50 Lux
Dim Control Output	0-10V Max. 25mA Sinking Current

**ENVIRONMENT**

Operating Temperature	-40° ~ 158°F
Suitable Location	<b>DRY</b>
Ingress Protection Rating	IP20
Humidity	Max. 95% RH

**LIFESPAN**

Warranty (Years)	<b>2</b>
------------------	----------

**CONSTRUCTION**

Housing	PC
Mounting	Hard Wired
Finish	White

**QUALIFICATIONS**



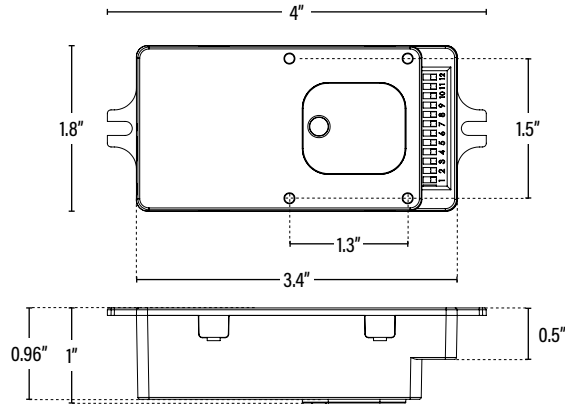
*Specifications are subject to change without notice.*

Item#: **54888**  
**BI-LEVEL & DAYLIGHT HARVEST MICROWAVE SENSOR**



ITEM INFORMATION

<b>DIMENSIONS</b> (Inches)	
Length	4"
Width	1.8"
Height	1"
Net Weight (Lbs)	--



<b>SUPPORTING DOCUMENTS</b> (Grey = not available at this time.)	
Product Sheet	VIEW
Install Instructions	VIEW

<b>PACKAGING</b>		<b>UPC</b>	<b>DIMENSIONS</b> (LxWxH)	<b>GROSS WEIGHT</b> (Lbs)
Master Carton	100	10811768020585	--	--
Individual Box	1	811768020588	4.3" x 2.4" x 1.9"	--
Country of Origin	China			
HS Tariff	--			

<b>ORDERING</b>			
<b>ITEM#</b>	<b>DESCRIPTION</b>		<b>CASE</b>
54888	360° BI-LEVEL AND DAYLIGHT HARVESTING MICROWAVE SENSOR 26FT DIA, 8-40FT HEIGHT 800W/1200W • 120/277V		100