



Item#: **54890**  
**360° FIXTURE PIR SENSOR**  
FIXTURE ACCESSORY

**FEATURES**

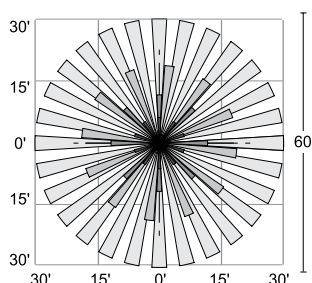
- Provides multi-level control based on motion and/or daylight contribution.
- Controls 0-10V VDC dimming LED drivers (or dimming ballasts); can also be used with non-dimming drivers.
- 40' range detector sensitivity.
- All control parameters are adjustable by using the RC-100 remote (sold separately)

**APPLICATION**

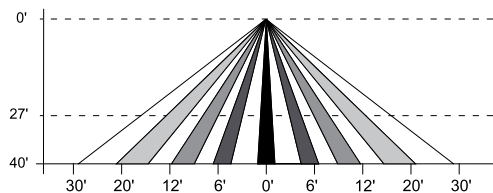
Designed for use with fixtures in warehouses, work stations, hallways, offices or outdoor locations.

**360° TOP AND SIDE VIEW**

**Top View**



**Side View**



**ELECTRICAL**

Voltage	120/277VAC 50/60 Hz	
Power Supply	Resistive/Halogen	800W @ 120V / 1200W @ 277V
	Fluorescent Ballast	660W @ 120V / 1200W @ 277V
	Electronic Ballast (LED/CFL)	5A @ 120V / 5A @ 277V

**PERFORMANCE**

Detection Beam Angle	80°
Detection Coverage	360° Circle
Detection Diameter	Up to 60ft
Mounting Height	Up to 40ft
High Mode	0-10V; Default 10V
Low Mode	Off, 0-9.8V; Default 1V

**ENVIRONMENT**

Operating Temperature	-40° ~ 158°F
Suitable Location	Indoor or Outdoor
Suitable Location	<b>WET</b>
Ingress Protection Rating	IP66 for PIR Lens (Top part of the sensor)
Operating Humidity	20-90%

**LIFESPAN**

Warranty (Years)	<b>2</b>
------------------	----------

**CONSTRUCTION**

Housing	PC
Mounting	½" Knockout / Hard Wired
Finish	White

**QUALIFICATIONS**



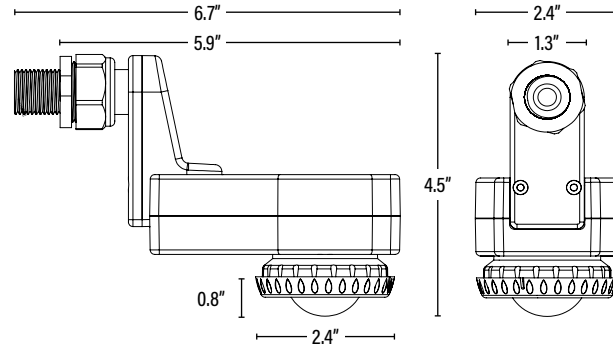
Specifications are subject to change without notice.

Item#: **54890**  
**360° FIXTURE PIR SENSOR**



**DIMENSIONS** (Inches)

Length	6.7"
Width	2.4"
Height	4.5"
Net Weight (Lbs)	--



**SUPPORTING DOCUMENTS** (Grey = not available at this time.)

Product Sheet	VIEW
Install Instructions	VIEW

**PACKAGING**

		UPC	DIMENSIONS (LxWxH)	GROSS WEIGHT (Lbs)
Master Carton	100	10811768021247	27.5" x 13.6" x 11.6"	--
Individual Box	1	811768021240	5.2" x 2.6" x 5.2"	--
Country of Origin	China			
HS Tariff	8536.50.9065			

**ORDERING**

ITEM#	DESCRIPTION	CASE
54890	360° OUTDOOR FIXTURE BI-LEVEL & DAYLIGHT PIR SENSOR 60' DIA, UP TO 40' HEIGHT 800W/1200W • 120-277V/DROP NIPPLE MOUNT	100

**ACCESSORIES**

54890-L4	LENS ONLY TO MAKE 54890 A LOW BAY SENSOR 60FT DIA, UP TO 20FT HEIGHT	250
RC-100	HAND HELD REMOTE FOR CONFIGURING PROGRAMMABLE SENSORS	1

**ADDITIONAL INFORMATION:**

**Factory Default Settings:** Sensitivity set to 100%. Hold on time 10 seconds. Daylight sensor at 30 Lux. Dimming level at 50%. Dimming time at 60 minutes. *Sensor setting can be adjusted by RC-100 remote (sold separately).*

ITEM INFORMATION