



Item#: **54892**  
**PASSIVE INFRARED FIXTURE SENSOR**  
 FIXTURE ACCESSORY

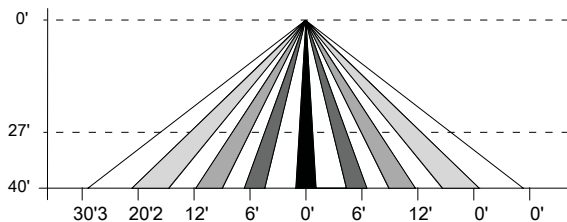
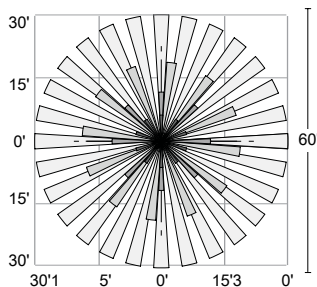
**FEATURES**

- Slim, low-profile sensor is designed for installation inside the bottom of a light fixture.
- Provides multi-level control based on motion and/or daylight contribution.
- 30' range sensitivity detector.
- Works with ballasts or LED drivers.
- Adjustable light levels and stand-by time.
- Constructed out of fire retardant polycarbonate material that is UV and impact resistant.

**APPLICATION**

Sensor is designed for use in areas such as gas stations, public walkways, parking lots and facilities.

**360° TOP AND SIDE VIEW**  
**L3 LENS**



**ELECTRICAL**

Voltage	120V-277 VAC 50/60 Hz	
Power Supply	Resistive / Halogen	800W @ 120V / 1200W @ 277V
	Fluorescent Ballast	660W @ 120V / 1200W @ 277V
	Electronic Ballast (LED/CFL)	5A @ 120V / 5A @ 277V

**PERFORMANCE**

Field of View	360°
Coverage Area	30' Diameter @ 40'
Max Mounting Height	40' Height
Adjustable Time Delay	5 - 30 Mins.
Adjustable Light Control	10 - 300 Lux
Dimmable Lighting Control	0-10V Dimming Control

**ENVIRONMENT**

Operating Temperature	-40° ~ 158°F
Suitable Location	<b>WET</b>
Ingress Protection Rating	IP66
Humidity	Max. 95% RH

**LIFESPAN**

Warranty (Years)	<b>2</b>
------------------	----------

**CONSTRUCTION**

Housing	PC
Mounting	Hard Wired
Finish	White

**QUALIFICATIONS**



PERFORMANCE DATA

PACKAGING

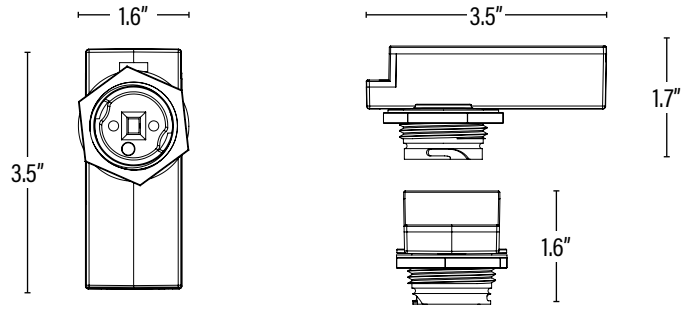
Item#: **54892**  
**PASSIVE INFRARED FIXTURE SENSOR**



**DIMENSIONS** (Inches)

Length	3.5"
Width/Diameter	1.6"
Height	1.7"
Weight (Lbs)	--

Line drawings may not be to scale and are for general reference only.



**SUPPORTING DOCUMENTS** (Grey = not available at this time.)

Install Instructions	VIEW
----------------------	------

**PACKAGING**

		UPC	DIMENSIONS (LxWxH)	GROSS WEIGHT (Lbs)
Master Carton	100	10811768026068	--	--
Individual Box	1	811768026061	--	--
Country of Origin	China			
HS Tariff	8536.50.9065			

**ORDERING**

ITEM#	DESCRIPTION	CASE
54892	PASSIVE INFRARED FIXTURE INTEGRATED OUTDOOR SENSOR 0-10V/25mA/MAX 40'/120-277V - SUPERIOR LIFE®	100

PERFORMANCE DATA

PACKAGING