

LED PIR INTEGRATED OUTDOOR SENSOR

INSTALL INSTRUCTIONS



PLEASE FIND A QUALIFIED ELECTRICIAN FOR INSTALLATION. Please read the instructions before you install the sensor and use the luminaire.

GENERAL: ALL ELECTRICAL CONNECTIONS MUST BE IN ACCORDANCE WITH LOCAL AND NATIONAL ELECTRICAL CODE (N.E.C.) STANDARDS. IF YOU ARE UNFAMILIAR WITH PROPER ELECTRICAL WIRING CONNECTIONS OBTAIN THE SERVICES OF A QUALIFIED ELECTRICIAN. REMOVE THE TRIM FROM THE BOX AND MAKE SURE THAT NO PARTS ARE MISSING.

WARNING - Risk of fire or electric shock. Sensor installation requires knowledge of luminaires electrical systems. If not qualified, do not attempt installation. Contact a qualified electrician.

WARNING - Risk of fire or electric shock. Install this sensor only in luminaires that have the construction features and dimensions shown in the photographs and/or drawings and where the input rating of the sensor does not exceed the input rating of the luminaire.

WARNING - To prevent wiring damage or abrasion, do not expose wiring to edges of sheet metal or other sharp objects.

Risk of Electric Shock: Disconnect power or circuit breaker before installing or servicing.

Do not make or alter any open holes in an enclosure of wiring or electrical components during installation.

WARNING - NOTE: Warm up time is 40 seconds. After the sensor connects input power for the first time, the light will stay on for 40 seconds, then turns off to work normally.

CAUTION FOR YOUR SAFETY: IF YOU ARE UNSURE ABOUT ANY PART OF THESE INSTRUCTIONS, CONSULT A QUALIFIED ELECTRICIAN.

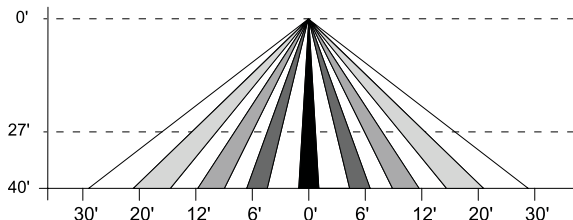
! WARNING DISCONNECT POWER BEFORE INSTALLING OR SERVICING.

TECHNICAL SPECIFICATIONS

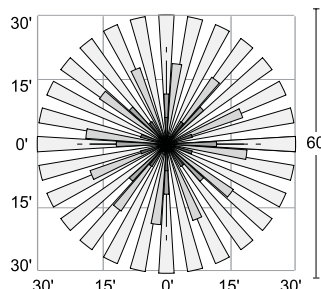
SPECIFICATIONS	
Power Supply	120-277VAC, 50/60Hz
	Resistive / Halogen - 800W@120V / 1200W@277V Fluorescent Ballast - 660W@120V / 1200W@277V Electronic Ballast (LED / CFL) - 5A@120V / 5A@277V
Detect Area	360°, Maximum Coverage 60' Diameter from 40' Height
High Mode	0-10V; Default 10V
Low Mode	Off, 0-9.8V; Default 1V
Operating Temperature	-40°F ~ 158°F (-40°C ~ 70°C)
Operating Humidity	20-90%
IP Rating	IP66 for PIR Lens (Top part of the sensor)

COVERAGE PATTERN

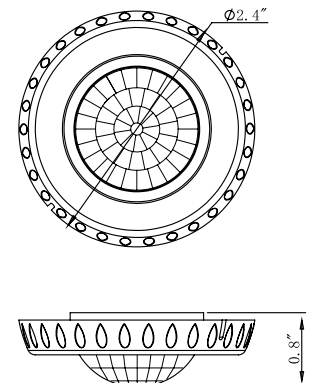
COVERAGE SIDE VIEW



COVERAGE TOP VIEW



LENS L3



LED PIR INTEGRATED OUTDOOR SENSOR

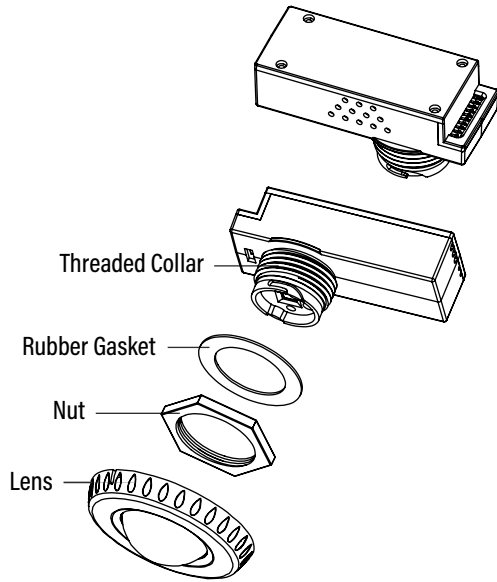
INSTALL INSTRUCTIONS



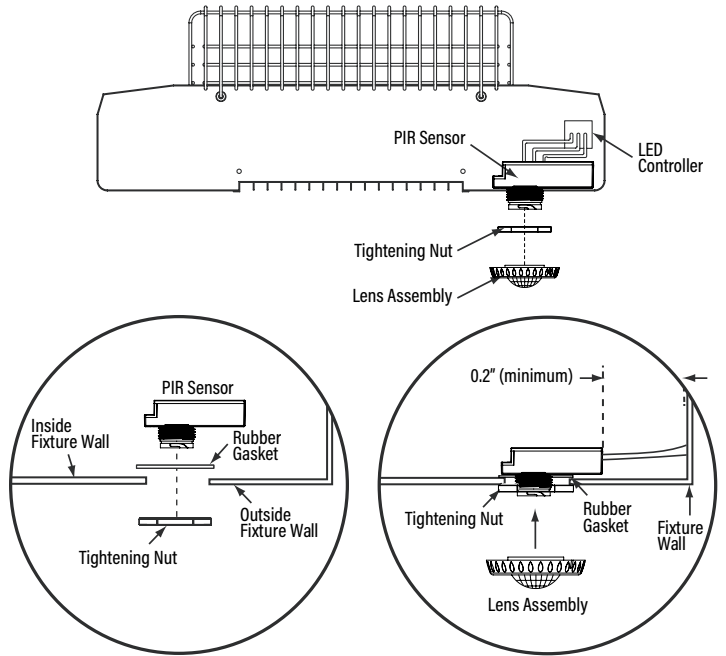
! WARNING DISCONNECT POWER BEFORE INSTALLING OR SERVICING.

OCCUPANCY SENSOR INSTALLATION

SENSOR MODULE

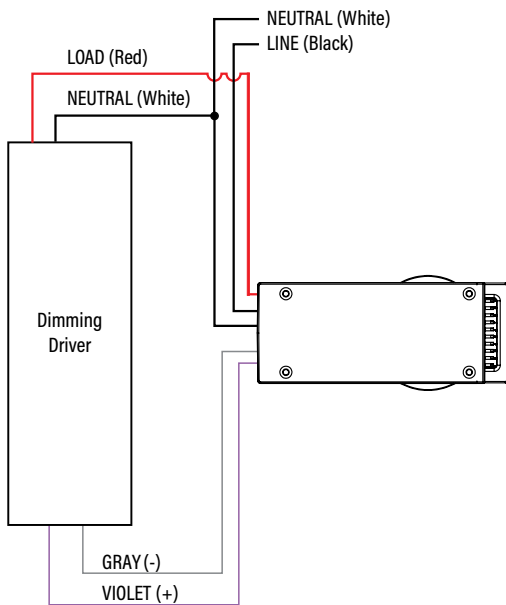


MOUNTING

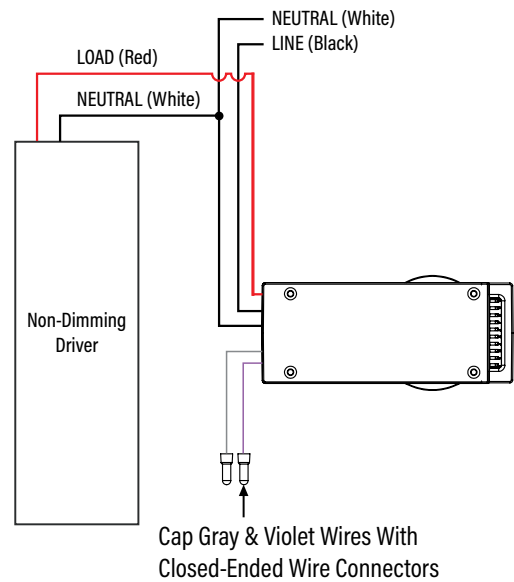


WIRING DIAGRAM

WIRING WITH DIMMING BALLAST OR LED DRIVER



WIRING WITH NON-DIMMING BALLAST OR LED DRIVER



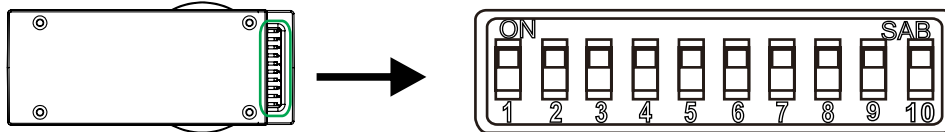
LED PIR INTEGRATED OUTDOOR SENSOR

INSTALL INSTRUCTIONS



PARAMETER SETTING BY DIP SWITCH

- Switches 1 and 2 are to set the sensitivity of the sensor.
- Switches 3 and 4 are to set the hold time of the sensor.
- Switches 5 and 6 are to set the lux of the sensor.
- Switches 7 and 8 are to set the stand-by light level of the fixture.
- Switches 9 and 10 are to set the stand-by time.



OCCUPANCY SENSOR SETTINGS

Detection Range Setting (Sensitivity): Detection range is a term used to describe the radius of the more or less circular detection zone produced on the ground after mounting the sensor light at a height of 40ft. Flip switch to the ON position as "↑", or to the OFF position as "↓", switch location and detection range of the corresponding table is as follows:

		SENSITIVITY	
ON	↑	1	2
		↓ ↓	20%
		↓ ↑	50%
		↑ ↓	75%
OFF	↓	↑ ↑	100%

Hold Time Setting: The light can be set to stay ON for any period of time between approximately 10 seconds and a maximum of 15 minutes. Any movement detected before this time has elapsed will re-start the timer. It is recommended to select the shortest time for adjusting the detection zone and for performing the walk test. Flip switch to the ON position as "↑", or to the OFF position as "↓", switch location and detection range of the corresponding table is as follows:

		TIME	
ON	↑	3	4
		↓ ↓	10 S
		↓ ↑	1 Min
		↑ ↓	5 Min
OFF	↓	↑ ↑	15 Min

Light Control Setting: The chosen light response threshold ranges from approximately 10-50 lux. Flip switch to the ON position as "↑", or to the OFF position as "↓", switch location and light-control of the corresponding table is as follows:

		LIGHT	
ON	↑	5	6
		↓ ↓	☀ (Light Sensor Disable)
		↓ ↑	10 Lux
		↑ ↓	30 Lux
OFF	↓	↑ ↑	50 Lux

STAND-BY LIGHT LEVEL SETTING

		STAND-BY LEVEL	
ON	↑	7	8
		↓ ↓	0%
		↓ ↑	10%
		↑ ↓	30%
OFF	↓	↑ ↑	50%

STAND-BY TIME SETTING

		STAND-BY TIME	
ON	↑	9	10
		↓ ↓	+ ∞
		↓ ↑	1 Min
		↑ ↓	30 Min
OFF	↓	↑ ↑	60 Min

Switch in the ON position is "↑", and the OFF position is "↓".