



Item#: **54897**  
**BI-LEVEL & DAYLIGHT HARVEST**  
**MICROWAVE SENSOR**  
FIXTURE ACCESSORY

**FEATURES**

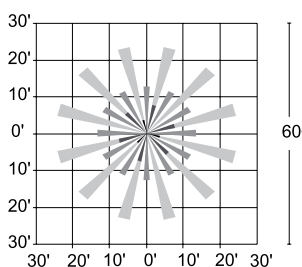
- Slim, low-profile sensor with multiple mounting options for easy installation.
- Provides multi-level control based on motion and/or daylight contribution.
- 48' range sensitivity detector.
- Works with ballasts or LED drivers.
- Adjustable light levels and stand-by time.

**APPLICATION**

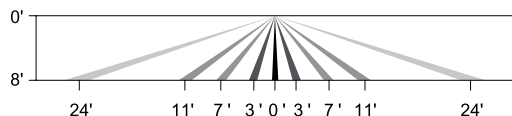
Designed for use with indoor fixtures in warehouses, work stations, hallways and offices.

**360° TOP AND SIDE VIEW**

**Top View**



**Side View**



**ELECTRICAL**

Voltage	120V/277VAC 50/60 Hz	
Power Supply	Resistive / Halogen	800W @ 120V / 1200W @ 277V
	Fluorescent Ballast	660W @ 120V / 1200W @ 277V
	Electronic Ballast (LED/CFL)	5A @ 120V / 5A @ 277V

**PERFORMANCE**

Detection Angle	360°
Detection Radius	Max 24ft
Max Mounting Height	20ft Height
Adjustable Time Delay	10 Sec. - 15 Mins.
Adjustable Light Control	10 - 2000 Lux
Dimmable Lighting Control	0-10V Dimming Control

**ENVIRONMENT**

Operating Temperature	-40° ~ 158°F
Suitable Location	Indoor Only
Humidity	Max. 95% RH

**LIFESPAN**

Warranty (Years)	<b>2</b>
------------------	----------

**CONSTRUCTION**

Housing	PC
Mounting	½" Knockout / Hard Wired
Finish	White

**QUALIFICATIONS**



Specifications are subject to change without notice.

Item#: **54897**  
**BI-LEVEL & DAYLIGHT HARVEST MICROWAVE SENSOR**

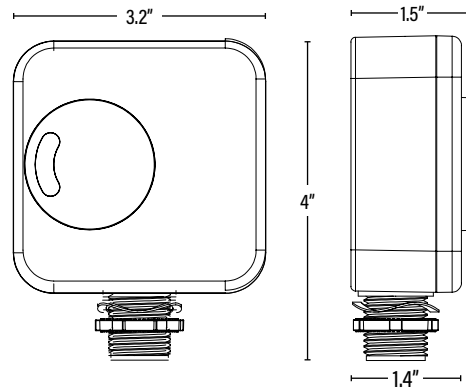


**DIMENSIONS** (Inches)

Length	4"
Width	3.2"
Height	1.5"
Net Weight (Lbs)	--

**SUPPORTING DOCUMENTS** (Grey = not available at this time.)

Product Sheet	VIEW
Install Instructions	VIEW



**PACKAGING**

		UPC	DIMENSIONS (LxWxH)	GROSS WEIGHT (Lbs)
Master Carton	50	10811768028024	19.5" x 10.8" x 10.4"	--
Individual Box	1	811768028027	3.7" x 2" x 4.9"	--
Country of Origin	China			
HS Tariff	8536.50.9065			

**ORDERING**

ITEM#	DESCRIPTION	CASE
54897	LOW BAY BI-LEVEL AND DAYLIGHT HARVEST MICROWAVE SENSOR 48FT DIA, 8-20FT HEIGHT 800W/1200W - 120/277V	50

**ACCESSORIES**

54894	EXTENDER MOUNT FOR SENSOR 54896/54897/54898	100
-------	---	-----

ITEM INFORMATION