



Item#: **54920**
INDUSTRIAL HIGH BAY™ 4/F54
 FLUORESCENT FIXTURE

FEATURES

- A high performance reflector maximizes the light output from T5 fluorescent lamps
- Electronic ballast is standard and available in numerous configurations
- Sufficient knockouts are available for electrical and sensor connection
- Versatile mounting option available
- Excellent industrial light source for task lighting and illuminating areas with low to medium ceiling height

APPLICATION

Ideal for larger warehouses, retail applications, commercial buildings and work areas.

ELECTRICAL

Ballast Brand	Philips
Ballast Configuration	454
Lamp Type (not included)	F54T5
Number of Lamps	4
Voltage	120-277V

ENVIRONMENT

Operating Temperature	-4° ~ 122°F
Suitable Location	DAMP
Ingress Protection Rating	IP40

LIFESPAN

Warranty (Years)	2
------------------	----------

CONSTRUCTIONS

Housing	22 Gauge C.R.S
Reflector	White
Base / Power Supply	Hard Wired
Finish	High Gloss Baked Enamel

CERTIFICATIONS



Operating temperature may vary depending on lamps used. • Specifications are subject to change without notice.

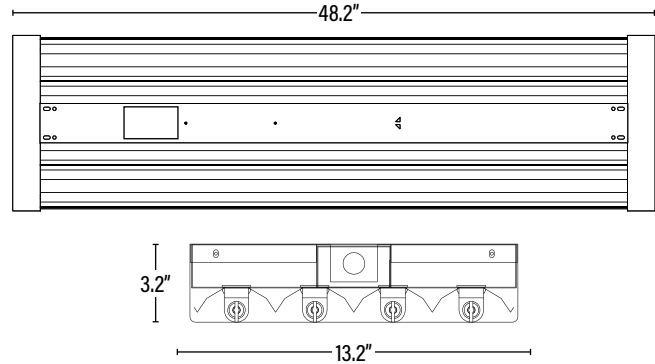
PERFORMANCE DATA

Item#: **54920**
INDUSTRIAL HIGH BAY™ 4/F54



DIMENSIONS (Inches)

Length	48.2"
Width	13.2"
Height	3.2"
Net Weight (Lbs)	--



SUPPORTING DOCUMENTS (Grey = not available at this time.)

Product Sheet	VIEW
Install Instructions	VIEW
IES Download from Web Item	VIEW

PACKAGING

		UPC	DIMENSIONS (LxWxH)	GROSS WEIGHT (Lbs)
Master Carton	1	811768029499	--	--
Country of Origin	China			
HS Tariff	9405.10.6020			

ORDERING

ITEM#	DESCRIPTION	CASE
54920	INDUSTRIAL HIGH BAY WHITE/WHITE 4/F54 W/V-HOOKS & 41.3" CHAINS - SUPERIOR LIFE®	1

ACCESSORIES

54896	360° LOW/HIGH BAY FIXTURE OCCUPANCY PIR SENSOR 30' DIA, 8-40' HEIGHT 800W/1200W • 120/277V - SUPERIOR LIFE®	50
54894	EXTENDER MOUNT FOR SENSOR 54896/54897/54898 - SUPERIOR LIFE®	100
45000	V HOOK FOR HANGING FLUORESCENT FIXTURE (2 PER KIT)	1
45002	100' ROLL NO. 12 JACK CHAIN	Per Foot

ITEM INFORMATION