



Item#: **55042**  
**LED 2X4 RECESSED DIRECT/INDIRECT**  
**LED READY FIXTURE**

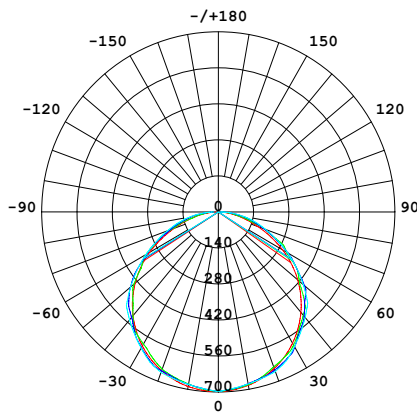
**FEATURES**

- Indirect lighting reduces shadows and glare
- Use 30% less energy than a linear fluorescent fixture.
- Swing down micro perforated lamp shield for easy re-lamping and for quick maintenance
- LED ready with non-shunted sockets
- Pre-wired at one end
- Compatible with traditional ceiling grids

**APPLICATION**

Ideal for offices, retail, commercial buildings, classrooms, hospitals and work areas.

**LIGHT DISTRIBUTION CURVE**



**ELECTRICAL**

Lamp Type (not included)	T8
Number of Lamps	2
Voltage	120-277V

**ENVIRONMENT**

Operating Temperature	-4° ~ 122°F
Suitable Location	<b>DAMP</b>
Ingress Protection Rating	IP40

**LIFESPAN**

Warranty (Years)	<b>2</b>
------------------	----------

**CONSTRUCTION**

Housing	24 Gauge C.R.S.
Reflector	White Aluminum
Base / Power Supply	Hard Wired
Finish	High Gloss Baked White Enamel

**QUALIFICATIONS**



*Operating temperature may vary depending on the lamps used. • Specifications are subject to change without notice.*

PERFORMANCE DATA

Item#: **55042**  
**LED 2X4 RECESSED DIRECT/INDIRECT**



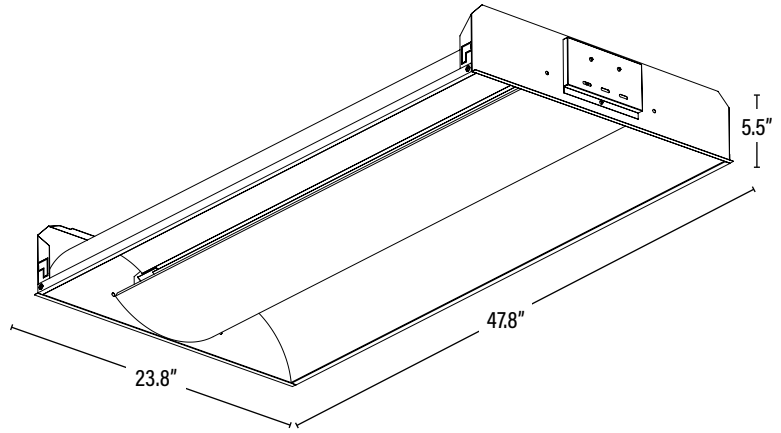
ITEM INFORMATION

**DIMENSIONS** (Inches)

Length	47.8"
Width	23.8"
Height	5.5"
Weight (Lbs)	--

**SUPPORTING DOCUMENTS** (Grey = not available at this time.)

Product Sheet	VIEW
Install Instructions	VIEW
Photometric	VIEW
IES Download from Web Item	VIEW



**PACKAGING**

		UPC	DIMENSIONS (LxWxH)	GROSS WEIGHT (Lbs)
Master Carton	1	811768025248	49.9" x 24.3" x 5.8"	9.9
Country of Origin	China			
HS Tariff	9405.10.6020			

**ORDERING**

ITEM#	DESCRIPTION	CASE
55042	LED 2X4 RECESSED DIRECT/INDIRECT FOR 2/T8 - SUPERIOR LIFE®	1

**REPLACEMENT PARTS**

550428	REPLACEMENT LENS FOR 2X4 RECESSED DIRECT/INDIRECT	1
--------	---	---

**ADDITIONAL INFORMATION:**

- Pairs with Superior Life® Direct Wire Single-End or Double-End UL Type B Lamps. Single-end pre-wired fixtures can also be wired double-end by the end-user if needed. Follow specific lamp installation wiring instructions for correct wiring.