



Item#: **55259**  
**LED 48" WRAP-A-ROUND**  
 DIRECT LINEAR AMBIENT LUMINARIES

**FEATURES**

- Low-profile which meets limitless range of applications.
- Use 30% less energy than a traditional fluorescent fixture
- Standard knocks on back and ends.
- All steel surfaces are painted after fabrication with high gloss baked white matte powder paint.
- Low-glare prismatic lens

**MOUNTING**

Designed for surface and suspended mounting.

**APPLICATION**

Ideal for stairways, bathrooms and low light traffic areas.

PERFORMANCE DATA

**ELECTRICAL**

Wattage	42W
Voltage	120-277V
Current	0.345A
Power Factor	0.9
Total Harmonic Distortion (THD)	10

**LIGHTING PERFORMANCE**

Lumens	4410
Lumens Per Watt (Lm/W)	105
Color Temperature (CCT)	4000K
Color Rendering (CRI)	80
R9 (Red Value)	10
R13 (Skin Tones)	83
Beam Angle	100°
Light Distribution	Type VS
BUG Rating (Backlight, Uplight, and Glare)	B2 - U3 - G1
Dimmable Lighting Control	<i>Dimmable</i> 0-10V, Range 10% - 100%

**ENVIRONMENT**

Operating Temperature	-4° ~ 122°F
Suitable Location	<b>DAMP</b>
Ingress Protection Rating	IP40

**LIFESPAN**

Average Life (Hours)	50,000
Warranty (Years)	<b>5</b>

**COMPONENTS**

LED Light Source	Samsung 2835
Driver	Simon SI50-11000

**CONSTRUCTION**

Housing	24 Gauge Steel
Base / Power Supply	Hard Wired
Finish	White

**QUALIFICATIONS**



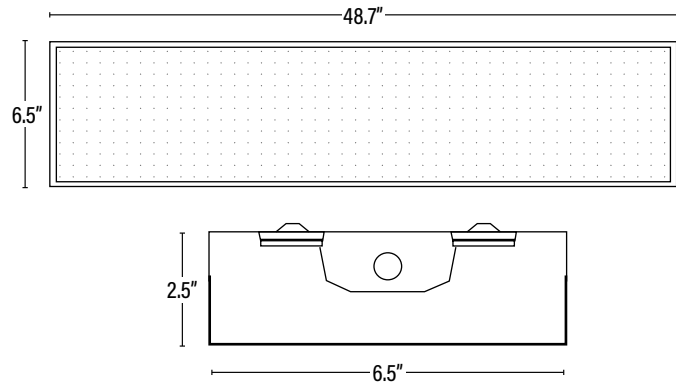
*Published lumens on LED products are approximate and may vary slightly. • Specifications are subject to change without notice.*

Item#: **55259**  
**LED 48" WRAP-A-ROUND**



**DIMENSIONS** (Inches)

Length	48.7"
Width	6.5"
Height	2.5"
Net Weight (Lbs)	--



**SUPPORTING DOCUMENTS** (Grey = not available at this time.)

Product Sheet	VIEW
Install Instructions	VIEW
IES Download from Web Item	VIEW
LM79	VIEW
LM80	VIEW

**PACKAGING**

		UPC	DIMENSIONS (LxWxH)	GROSS WEIGHT (Lbs)
Master Carton	4	10811768028727	49.2" x 12.8" x 8.2"	26.5
Individual Box	1	811768028720	--	6.6
Country of Origin	China			
HS Tariff	9405.10.6020			

**ORDERING**

ITEM#	DESCRIPTION	CASE
55259	LED 48" WRAP A-ROUND - 42W/40K/FR/120-277V/DIMMABLE - SUPERIOR LIFE®	1

**ACCESSORIES**

54896	360° LOW/HIGH BAY FIXTURE OCCUPANCY PIR SENSOR 30' DIA, 8-40' HEIGHT 800W/1200W • 120/277V - SUPERIOR LIFE®	50
54897	360° LOW BAY BI-LEVEL AND DAYLIGHT HARVEST MICROWAVE SENSOR 48' DIA, 8-20' HEIGHT 800W/1200W • 120/277V - SL®	50
54898	360° HIGH BAY BI-LEVEL AND DAYLIGHT HARVEST MICROWAVE SENSOR 60' DIA, 8-50' HEIGHT 800W/1200W • 120/277V - SL®	50
54894	EXTENDER MOUNT FOR SENSOR 54896/54897/54898 - SUPERIOR LIFE®	100
55390	EMERGENCY PACK FOR LED FIXTURE 8W/90 MIN/SPLIT TYPE/L - SL® <b>T20C</b> (For use with drivers that are 100W or less.)	10
55391	EMERGENCY PACK FOR LED FIXTURE 16W/90 MIN/SPLIT TYPE/L - SL® <b>T20C</b> (For use with drivers that are 100W or less.)	10
55392	EMERGENCY PACK FOR LED FIXTURE 25W/90 MIN/SPLIT TYPE/L - SL® <b>T20C</b> (For use with drivers that are 100W or less.)	10

**REPLACEMENT PARTS**

552608	REPLACEMENT LENS	1
SI50-I1000	REPLACEMENT DRIVER	1

**ADDITIONAL INFORMATION:**

Family Item(s): 55260/5000K