



Item#: **55365**

LED 4' LINEAR HIGH BAY

HIGH-BAY LUMINAIRES FOR COMMERCIAL AND INDUSTRIAL BUILDINGS

FEATURES

- High lumen output - bright and high lumen per watt.
- Integrated LED - maintenance free.
- Replaces HID and fluorescent fixtures.
- Wide beam angle - uniform light distribution.
- All steel surfaces are painted after fabrication for smooth edges and rounded corners.

MOUNTING

Designed for suspended or pendent mounting.
(V-hooks & 41.3" chains included)

APPLICATION

Larger warehouses, retail applications, commercial buildings and work areas.

ELECTRICAL

Wattage	223W
Voltage	347-480V
Current	1.75A
Power Factor	0.9
Total Harmonic Distortion (THD)	10

LIGHTING PERFORMANCE

Lumens	30328
Lumens Per Watt (LPW)	136
Color Temperature (CCT)	5000K
Color Rendering (CRI)	80
R9 (Red Value)	N/A
R13 (Skin Tones)	N/A
Beam Angle	120°
Light Distribution	Type VS
Dimmable Lighting Control	<i>Dimmable</i> 0-10V, Range 10% - 100%

ENVIRONMENT

Operating Temperature	-4° ~ 122°F
Suitable Location	DAMP
Ingress Protection Rating	IP40

LIFESPAN

Average Life (Hours)	50,000
Warranty (Years)	5

COMPONENTS

LED Light Source	Seoul 3528
Driver	VEL100240HVHDA (2 ea.)

CONSTRUCTION

Housing	24 Gauge C.R.S.
Lens	Acrylic (PMMA)
Base / Power Supply	Hard Wired
Finish	White

QUALIFICATIONS

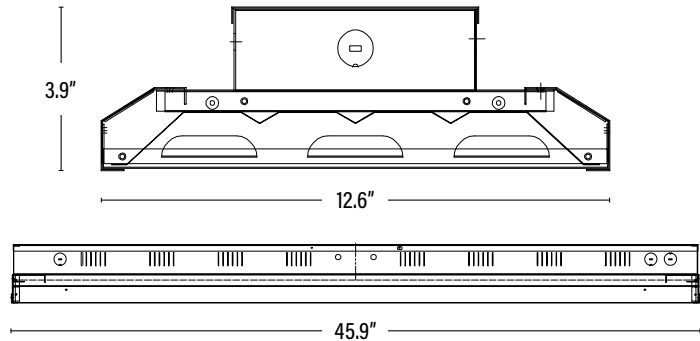


Visit www.designlights.org/search to confirm qualification. • Published lumens on LED products are approximate and may vary slightly. • Specifications are subject to change without notice.

Item#: **55365**
LED 4' LINEAR HIGH BAY

DIMENSIONS (Inches)

Length	45.9"
Width	12.6"
Height	3.9"
Net Weight (Lbs)	--
Chain Length	41.3" (2 ea.)



SUPPORTING DOCUMENTS (Grey = not available at this time.)

Product Sheet	VIEW
Install Instructions	VIEW
IES Download from Web Item	VIEW
LM79	VIEW
LM80	VIEW

PACKAGING

		UPC	DIMENSIONS (LxWxH)	GROSS WEIGHT (Lbs)
Master Carton	1	811768022346	47.1" x 13" x 4.2"	20.7
Country of Origin	China			
HS Tariff	9405.10.6020			

ORDERING

ITEM#	DESCRIPTION	CASE
55365	LED 4FT LINEAR HIGH BAY/223W/50K/DIMM/480V - DLC®	1

ACCESSORIES

55216	WIRE GUARD WITH CLIPS FOR LED LINEAR 4FT/12.6IN WIDE HIGH BAY	1
55221	6IN PENDENT MOUNT FOR 480V LINEAR HIGH BAY	25
54884	LOW/HIGH BAY OCCUPANCY PIR SENSOR IP65 52FT DIA, 8-40FT HEIGHT 800W/1200W - 120-480V	50
54885	LOW/HIGH BAY BI-LEVEL & DAYLIGHT HARVEST MICRO. SENSOR IP65 52FT DIA, 8-40FT HEIGHT 800W/1200W - 120-480V	50
45002	100FT ROLL NO. 12 JACK CHAIN	Per Foot

REPLACEMENT PARTS

552318	REPLACEMENT LENS FOR LED LINEAR 4' 4L HIGH BAY/FROSTED	20
VEL100240HVHDA	REPLACEMENT LED DRIVER	1

ADDITIONAL INFORMATION:

Family Item(s): 55364/4000K

Note: When using an Emergency Pack with the fixture, cable mounting is recommended to control the balance of the fixture.