



Item#: **55431**

LED 2X4 PANEL

2X4 LUMINARIES FOR AMBIENT LIGHTING OF INTERIOR COMMERCIAL SPACES

FEATURES

- High Efficiency, Energy Saving
- Up to 36% Savings vs. T8 Fluorescent
- Low glare, bright consistent lighting
- For covered ceilings only
- Earthquake proof hooks included

APPLICATION

Ideal for offices, conference rooms, hospitals, lobbies, hotels, classrooms, workshops, cafeterias and other common areas.

ELECTRICAL

Wattage	50W
Voltage	100-277V
Current	1100mA
Power Factor	0.9
Total Harmonic Distortion (THD)	20

LIGHTING PERFORMANCE

Lumens	5100
Lumens Per Watt (Lm/W)	102
Color Temperature (CCT)	3500K
Color Rendering (CRI)	83
R9 (Red Value)	N/A
R13 (Skin Tones)	N/A
Beam Angle	120°
Light Distribution	Type VS
Dimmable Lighting Control	<i>Dimmable</i> 1-10V, Range 10% - 100%

ENVIRONMENT

Operating Temperature	-4 ~ 113°F
Suitable Location	DAMP
Ingress Protection Rating	IP40

LIFESPAN

Average Life (Hours)	50,000
Warranty (Years)	5

COMPONENTS

LED Light Source	Samsung
Driver	554336

CONSTRUCTION

Housing	Aluminum
Lens	--
Base / Power Supply	Hard Wired
Finish	White

QUALIFICATIONS



Visit www.designlights.org/search to confirm qualification. - Published lumens on LED products are approximate and may vary slightly.

PERFORMANCE DATA

PACKAGING

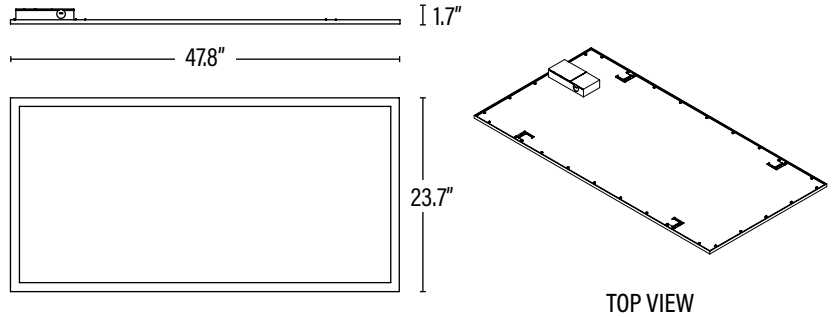
Item#: **55431**
LED 2X4 PANEL



DIMENSIONS (Inches)

Length	47.8"
Width/Diameter	23.7"
Height	1.7"
Weight (Lbs)	13.7

Line drawings may not be to scale and are for general reference only.



SUPPORTING DOCUMENTS (Grey = not available at this time.)

Product Sheet	VIEW
Install Instructions	VIEW
IES Download from Web Item	VIEW
Photometric	VIEW
LM79	VIEW
LM80	VIEW

PACKAGING

		UPC	DIMENSIONS (LxWxH)	GROSS WEIGHT (Lbs)
Master Carton	2	10811768026075	49.5" x 25.6" x 4.5"	32.9
Individual Box	1	811768026078	--	16.5
Country of Origin	China			
HS Tariff	9405.10.6020			

ORDERING

ITEM#	DESCRIPTION	CASE
55431	LED 2X4 PANEL - 50W/35K/120-277V/DIMM/V6 - SUPERIOR LIFE® DLC	2

ACCESSORIES/REPLACEMENT PARTS

55442	2X4 SURFACE MOUNTED KIT FOR LED PANEL/WHITE - SUPERIOR LIFE®	1
55445	2X2 1X4 or 2X4 SUSPENDED CABLE MOUNTING KIT FOR LED PANEL - SUPERIOR LIFE®	1
55449	EMERGENCY PACK FOR LED PANEL 15W/90 MIN - SUPERIOR LIFE®	1
55450	EMERGENCY PACK FOR LED PANEL 25W/90 MIN - SUPERIOR LIFE®	1
554336	50W REPLACEMENT DRIVER FOR LED PANELS	1

ADDITIONAL INFORMATION:

Family Item: 55432/4000K • 55433/5000K

PERFORMANCE DATA

PACKAGING