



Item#: **55433**

## LED 2X4 PANEL

2X4 LUMINARIES FOR AMBIENT LIGHTING OF INTERIOR COMMERCIAL SPACES

### FEATURES

- High Efficiency, Energy Saving
- Up to 36% Savings vs. T8 Fluorescent
- Low glare, bright consistent lighting
- For covered ceilings only
- Earthquake proof hooks included

### APPLICATION

Ideal for offices, conference rooms, hospitals, lobbies, hotels, classrooms, workshops, cafeterias and other common areas.

### ELECTRICAL

Wattage	50W
Voltage	100-277V
Current	1100mA
Power Factor	0.9
Total Harmonic Distortion (THD)	20

### LIGHTING PERFORMANCE

Lumens	5300
Lumens Per Watt (Lm/W)	106
Color Temperature (CCT)	5000K
Color Rendering (CRI)	83
R9 (Red Value)	14
R13 (Skin Tones)	85
Beam Angle	120°
Light Distribution	Type VS
Dimmable Lighting Control	<i>Dimmable</i> 1-10V, Range 10% - 100%

### ENVIRONMENT

Operating Temperature	-4 ~ 113°F
Suitable Location	<b>DAMP</b>
Ingress Protection Rating	IP40

### LIFESPAN

Average Life (Hours)	50,000
Warranty (Years)	<b>5</b>

### COMPONENTS

LED Light Source	Samsung
Driver	554336

### CONSTRUCTION

Housing	Aluminum
Lens	--
Base / Power Supply	Hard Wired
Finish	White

### QUALIFICATIONS



Visit [www.designlights.org/search](http://www.designlights.org/search) to confirm qualification. - Published lumens on LED products are approximate and may vary slightly.

PERFORMANCE DATA

PACKAGING

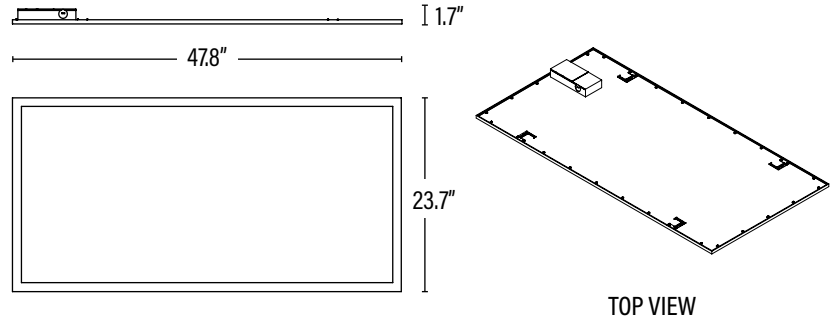
Item#: **55433**  
**LED 2X4 PANEL**



**DIMENSIONS** (Inches)

Length	47.8"
Width/Diameter	23.7"
Height	1.7"
Weight (Lbs)	13.7

Line drawings may not be to scale and are for general reference only.



**SUPPORTING DOCUMENTS** (Grey = not available at this time.)

Product Sheet	VIEW
Install Instructions	VIEW
IES Download from Web Item	VIEW
Photometric	VIEW
LM79	VIEW
LM80	VIEW

**PACKAGING**

		UPC	DIMENSIONS (LxWxH)	GROSS WEIGHT (Lbs)
Master Carton	2	10899645001018	49.5" x 25.6" x 4.5"	32.9
Individual Box	1	899645001011	--	16.5
Country of Origin	China			
HS Tariff	9405.10.6020			

**ORDERING**

ITEM#	DESCRIPTION	CASE
55433	LED 2X4 PANEL - 50W/50K/120-277V/DIMM/V6 - SUPERIOR LIFE® DLC	2

**ACCESSORIES/REPLACEMENT PARTS**

55442	2X4 SURFACE MOUNTED KIT FOR LED PANEL/WHITE - SUPERIOR LIFE®	1
55445	2X2 1X4 or 2X4 SUSPENDED CABLE MOUNTING KIT FOR LED PANEL - SUPERIOR LIFE®	1
55449	EMERGENCY PACK FOR LED PANEL 15W/90 MIN - SUPERIOR LIFE®	1
55450	EMERGENCY PACK FOR LED PANEL 25W/90 MIN - SUPERIOR LIFE®	1
554336	50W REPLACEMENT DRIVER FOR LED PANELS	1

**ADDITIONAL INFORMATION:**

Family Item: 55431/3500K - 55432/4000K

PERFORMANCE DATA

PACKAGING