

Item#: **55445**
2X2 or 2X4 SUSPENDED CABLE KIT
 FOR LED V6 PANELS

APPLICATION

For use with 2X2 or 2X4 LED V6 panels.

CABLE DIMENSIONS (Inches)

Length	See Line Drawing
Cable Diameter	0.04" (1 mm)
Height	See Line Drawing

Line drawings may not be to scale and are for general reference only.

PACKAGING

		UPC	DIMENSIONS (LxWxH)	GROSS WEIGHT (Lbs)
Master Carton	100	10811768021162	--	--
Individual Item	1	811768021165	3" x 5" Bag	--
Country of Origin	China			
HS Tariff	9405.10.6020			

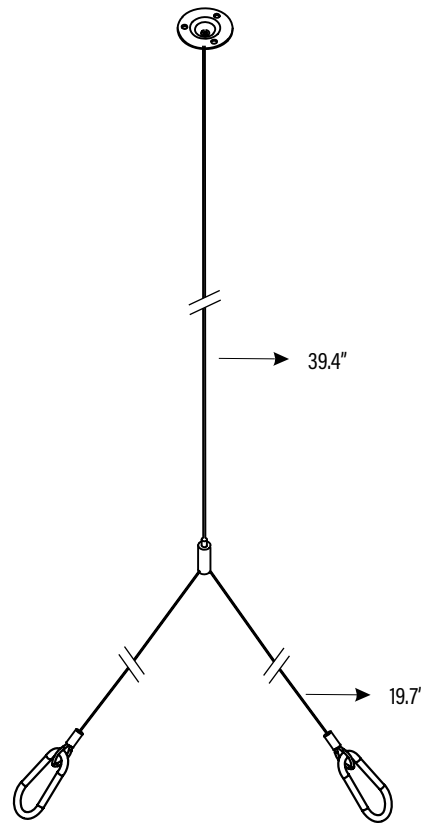
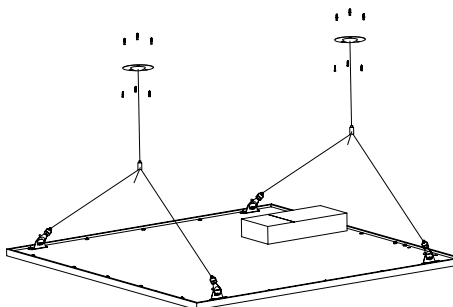
ORDERING

ITEM#	DESCRIPTION	CASE
55445	SUSPENDED CABLE MOUNTING KIT FOR LED PANEL/V6 - SUPERIOR LIFE®	100

KIT INCLUDES:

- 6 ea. - Self Taping Screws (Phillips head)
- 6 ea. - Anchors
- 4 ea. - Brackets
- 4 ea. - Carabineers
- 2 ea. - 1.6" Round Ceiling Plate
- 2 ea. - Cable Grippers
- 2 ea. - Hex Screws
- 2 ea. - 1 mm Stainless Steel Cable Sets

GENERAL INSTALLATION:



TECHNICAL DATA