



Item#: **55464**
LED 48" DESIGNER STRIP
 DIRECT LINEAR AMBIENT LUMINARIES

FEATURES

- Diffusing lens for bright, uniform light.
- Low-profile with a limitless range of applications.
- Uses 30% less energy than a linear fluorescent fixture.
- All steel surfaces are painted after fabrication for smooth edges and rounded corners.

MOUNTING

- Designed for surface or suspended chain mounting; individually or in a continuous row.

APPLICATION

Ideal for larger warehouses, retail applications, commercial buildings and work areas.

ELECTRICAL

Wattage	35W
Voltage	120-277V
Current	0.29A
Power Factor	0.9
Total Harmonic Distortion (THD)	5.9

LIGHTING PERFORMANCE

Lumens	4585
Lumens Per Watt (Lm/W)	131
Color Temperature (CCT)	4000K
Color Rendering (CRI)	82
R9 (Red Value)	7
R13 (Skin Tones)	82
Beam Angle	130°
Light Distribution	Type II, Very Short
Dimmable Lighting Control	<i>Dimmable</i> 0-10V, Range 10% - 100%

ENVIRONMENT

Operating Temperature	-4° ~ 122°F
Suitable Location	DAMP
Ingress Protection Rating	IP40

LIFESPAN

Average Life (Hours)	50,000
Warranty (Years)	5

COMPONENTS

LED Light Source	STW8A2PD-XX
Driver	Simon SIE40-I750 120-277 W D1 R

CONSTRUCTION

Housing	24 Gauge Steel
Base / Power Supply	Hard Wired
Finish	White Baked Enamel

QUALIFICATIONS



Published lumens on LED products are approximate and may vary slightly.

PERFORMANCE DATA

PACKAGING

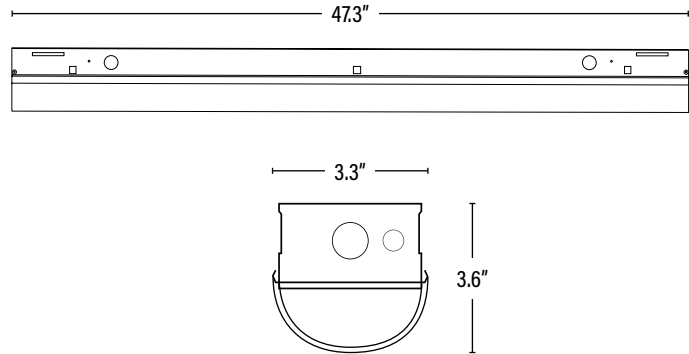
Item#: **55464**
LED 48" DESIGNER STRIP



DIMENSIONS (Inches)

Length	47.3"
Width/Diameter	3.3"
Height	3.6"
Weight (Lbs)	6.3

Line drawings may not be to scale and are for general reference only.



SUPPORTING DOCUMENTS (Grey = not available at this time.)

Product Sheet	VIEW
Install Instructions	VIEW
IES Download from Web Item	VIEW
LM79	VIEW
LM80	VIEW

PACKAGING

		UPC	DIMENSIONS (LxWxH)	GROSS WEIGHT (Lbs)
Master Carton	6	10899645001049	49.6" x 11.7" x 8.4"	37.9
Individual Box	1	899645001042	--	--
Country of Origin	China			
HS Tariff	9405.40.6000			

ORDERING

ITEM#	DESCRIPTION	CASE
55464	LED 48" DESIGNER STRIP - 35W/40K/120-277V/DIMMABLE/V2 - SUPERIOR LIFE®	6

ACCESSORIES/REPLACEMENT PARTS

54896	360° LED LOW/HIGH BAY FIXTURE PIR OCCUPANCY SENSOR 800W/1200W-120-277V - SUPERIOR LIFE®	50
55455	ROW ALIGNER FOR DESIGNER STRIP - SUPERIOR LIFE®	100
551348	REPLACEMENT LENS FOR LED 48" DESIGNER STRIP	1

PERFORMANCE DATA

PACKAGING