

# ARROWAY™ LED HIGH BAY - 277-480V

## INSTALL INSTRUCTIONS



**PLEASE USE A QUALIFIED ELECTRICIAN FOR INSTALLATION.** Read the instructions before installing or use of the luminaire.

### WARNING, CAUTIONS AND OPERATING INSTRUCTIONS

- Before installing, servicing, or performing routine maintenance upon this equipment, follow these general precautions.
- This fixture must be wired in accordance with the National Electrical Code and applicable local codes and ordinances. If you are unsure about the installation or maintenance of the luminaires, consult a qualified licensed electrician and check your local electrical code.
- Service and maintenance of luminaires should be performed by a qualified licensed electrician.
- To reduce the risk of death, personal injury or property damage from fire, electric shock, falling parts, cuts/abrasions, and other hazards read all warnings and instructions included with and on the fixture box and all fixture labels.
- To prevent wiring damage or abrasion, do not expose wiring to edges of sheet metal or other sharp objects.
- Do not make or alter any open holes in an enclosure of wiring or electrical components during installation.

### WARNING: RISK OF FIRE OR ELECTRICAL SHOCK

- Turn off electrical power at fuse or circuit breaker box before wiring fixture to the power supply.
- Turn off the power when you perform any maintenance.
- Verify that supply voltage is correct by comparing it with the luminaire label information.
- Make all electrical and grounded connections in accordance with the National Electrical Code and any applicable local code requirements.
- All wiring connections should be capped with UL approved wire connectors.

### CAUTION: RISK OF INJURY

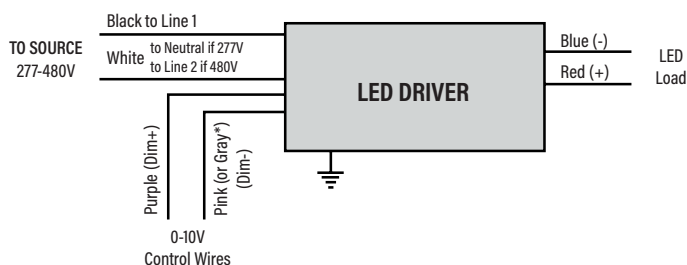
- Avoid direct eye exposure to the light source while it is on.
- Do not handle or energize fixture when hands are wet, when standing on wet or damp surfaces, or in water.
- Account for small parts and destroy packing material, as these may be hazardous to children.
- Fixture to be independently supported to building structure.
- Green ground screw is provided in the proper location. DO NOT RELOCATE.
- Minimum 90° supply conductors.
- Suitable for Dry or Damp locations.

## GENERAL INFORMATION



**WARNING DISCONNECT POWER BEFORE INSTALLING OR SERVICING.**

### GENERAL WIRING DIAGRAM



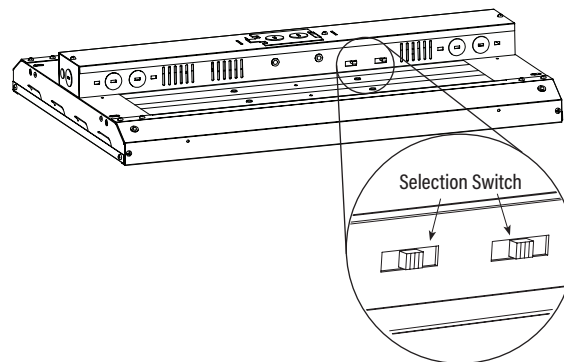
*\*Per NEMA rule-change Dim (-) control wires changed from gray to pink after Jan. 01, 2022.*

*Note: If not connecting to an external 0-10V dimmer circuit, make sure fixture's 0-10V pink (gray) and purple leads are capped off separately. Failure to do so may cause fixture to perform incorrectly, and void warranty.*

### FIELD ADJUSTABLE LINEAR HIGH BAY (If applicable)

The end users may adjust the color temperature and wattage, respectively, by the two slide switches integrated into the side of driver box. Each switch has 3 options (left, middle and right), each position corresponds to 1 of 3 color temperatures (3500K, 4000K, and 5000K) and 1 of 3 wattages, which can be adjusted to the desired combination.

1. Locate slide switch on the side of the driver box.
2. Select desired setting by sliding switch left or right respectively to the desired value.



# ARROWAY™ LED HIGH BAY - 277-480V

## INSTALL INSTRUCTIONS

### INSTALLATION

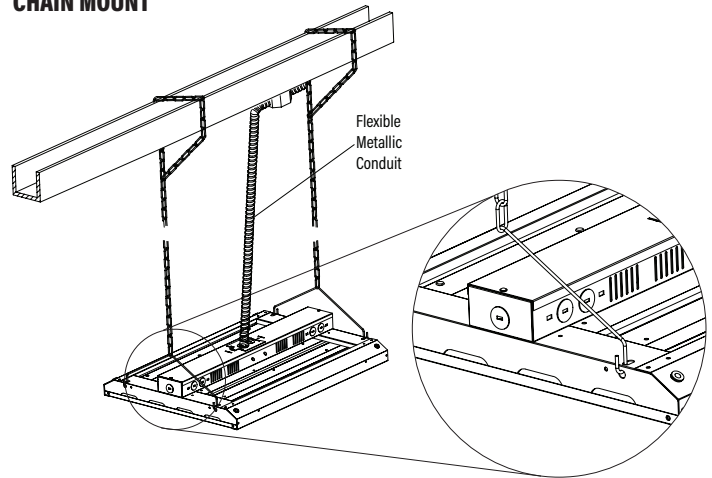


**WARNING DISCONNECT POWER  
BEFORE INSTALLING OR SERVICING.**

#### V-HOOK & CHAIN INSTALLATION

1. Mounting height and spacing should be determined by application requirements.
2. Secure v-hooks through mounting holes at the end of the fixture on both sides.
3. Install the chain into the provided wire hanger. Secure the other end of the chain to a structure using hardware rated for the load.
4. Adjust to desired height and so that the fixture will hang level.
5. Remove access plate and feed supply wires with strain relief conduit connector through access plate and make electrical connections as shown previously, in general wiring diagram. Make electrical connections and use approved wiring connectors and wire required by national (NEC) and local electrical codes. Failure to do so may cause improper fixture operation and void warranty.
6. Push all wires back into junction box. (Make sure wires are not pinched.)
7. Reinstall access plate.
8. Clean all residues/fingerprints from the new LED high bay and lens. Double check all hanging hardware before moving onto the next installation.

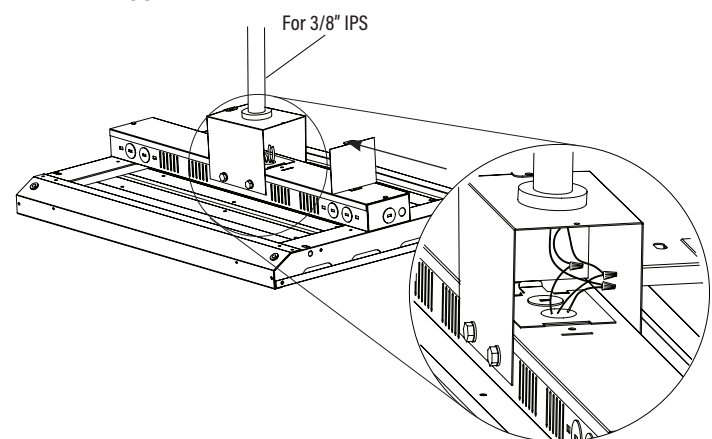
#### CHAIN MOUNT



#### PENDENT MOUNT *(Sold separately)*

1. Choose length of 1/2" NPS stem (supplied by installer).
2. Install pendant mount kit (junction box, screws and washers).
3. Feed wires through stem and into junction box. Make electrical connections and use approved wiring connectors and wire required by national (NEC) and local electrical codes. Failure to do so may cause improper fixture operation and void warranty.
4. Push all wires back into junction box. (Make sure wires are not pinched.)
5. Install side plate of box with supplied screws.
6. Clean all residues/fingerprints from the new LED high bay and lens. Double check all hanging hardware before moving onto the next installation.

#### PENDENT MOUNT



# ARROWAY™ LED HIGH BAY - 277-480V

## INSTALL INSTRUCTIONS



### INSTALLATION

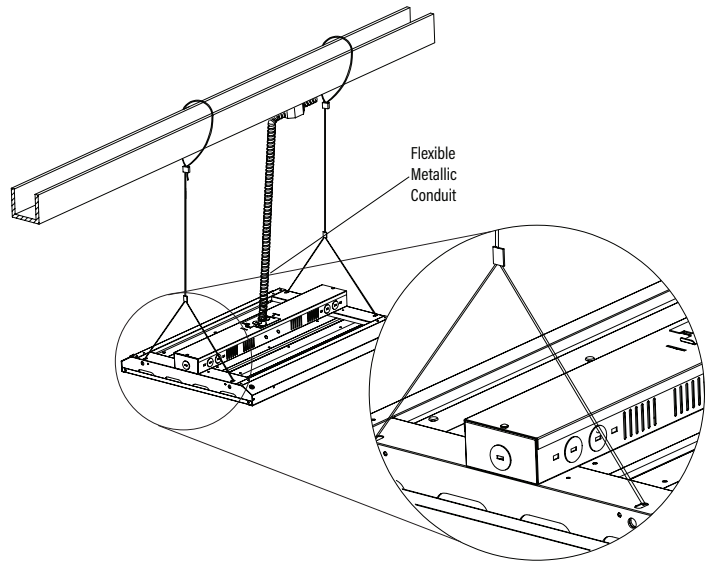


**WARNING DISCONNECT POWER BEFORE INSTALLING OR SERVICING.**

#### CABLE INSTALLATION *(Sold separately)*

1. Feed Aircraft cable into cable crimp.
2. Loop aircraft cable over structural support member (by others).
3. Feed end of cable into the crimp, and adjust to the height desired for the fixture. Tighten crimp and cut excess aircraft cable.
4. Repeat steps 1 and 2. Ensure that the end of the second cable is passed through the crimp at a sufficient distance to ensure that it does not slip out accidentally. Do not tighten crimp yet!
5. Hang fixture, supporting the end where the second cable attaches. Ends of cable yoke slip into keyhole slots in housing.
6. Level fixture by pulling on the cable end until level. Tighten the crimp.
7. Make electrical connections, following national and local electrical codes.
8. Clean all residues/fingerprints from the new LED high bay and lens. Double check all hanging hardware before moving onto the next installation.

#### CABLE MOUNT



### ACCESSORIES



**WARNING DISCONNECT POWER BEFORE INSTALLING OR SERVICING.**

#### FIXTURES W/ISO - INTEGRATED SENSOR OPTION

*(If applicable, sensor and elbow sold separately)*

##### For fixtures, with an integrated sensor socket.

1. Remove sensor socket cover. (Fig. 1)
2. Install elbow connector by screwing in clockwise until firmly seated. Once firmly installed, elbow socket can be carefully adjusted to desired position. (Fig. 2)
3. Install sensor by screwing in clockwise until firmly seated. (Fig. 3 & 4)

**Note:** If you move the sensor to a different location on the fixture, use a knockout plug (not included, provided by installer) to cover original sensor hole.

