



Item#: **55649**
LED 2X2 - 9 CELL PARABOLIC
LED READY FIXTURE

FEATURES

- High efficiency with excellent glare control
- Use 30% less energy than a traditional fluorescent fixture
- Die formed and rigidly fabricated
- Mechanical light trap prevents light leaks
- Door frame; concealed 22 gauge frame with integral hinges, and a spring steel latch
- Four corner tie points for safety wire support; when required
- LED ready with non-shunted sockets
- Pre-wired at both ends
- Compatible with traditional ceiling grids

APPLICATION

Ideal for larger warehouses, retail applications, commercial buildings and work areas.

ELECTRICAL

Lamp Type (not included)	T8/U6
Number of Lamps	2
Voltage	120-277V

ENVIRONMENT

Operating Temperature	-4° ~ 122°F
Suitable Location	DAMP
Ingress Protection Rating	IP40

LIFESPAN

Warranty (Years)	2
------------------	----------

CONSTRUCTION

Housing	24 Gauge Steel
Base / Power Supply	Hard Wired
Parabolic Louver	Anodized Aluminum
Finish	High Gloss Baked White Enamel

QUALIFICATIONS

Pending

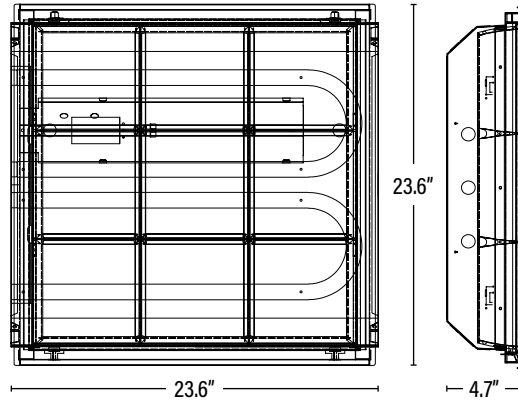
Operating temperature may vary depending on lamps used. • Specifications are subject to change without notice.

PERFORMANCE DATA

Item#: **55649**
LED 2X2 - 9 CELL PARABOLIC



DIMENSIONS (Inches)	
Length	23.6"
Width	23.6"
Height	4.7"
Weight (Lbs)	--



SUPPORTING DOCUMENTS (Grey = not available at this time.)	
Product Sheet	VIEW
Install Instructions	VIEW

PACKAGING	UPC	DIMENSIONS (LxWxH)	GROSS WEIGHT (Lbs)
Master Carton	1	--	--
Country of Origin	China		
HS Tariff	--		

ORDERING		
ITEM#	DESCRIPTION	CASE
55649	LED 2X2 9 CELL PARABOLIC 2 T8/U6/DE - SUPERIOR LIFE®	1

ADDITIONAL INFORMATION:

- Pairs with Superior Life® Direct Wire Single-End or Double-End UL Type B Lamps. Follow specific lamp installation wiring instructions for correct wiring.

ITEM INFORMATION