



Item#: **55654**
LED DIAMOND HIGH BAY™ - 8 LAMP
LED READY FIXTURE

FEATURES

- Use 30% less energy than a traditional fluorescent fixture
- Die formed, and rigidly fabricated
- Sufficient knockouts are provided on ends and back to accommodate multiple mounting configurations
- LED ready with non-shunted sockets
- Pre-wired at both ends
- Works with both Single-End and Double-End Direct Wire lamps
- Designed for chain mounting or adjustable cable

APPLICATION

Ideal for larger warehouses, retail applications, commercial buildings and work areas.

ELECTRICAL

Lamp Type (not included)	T8
Number of Lamps	8
Voltage	120-277V

ENVIRONMENT

Operating Temperature	-4° ~ 122°F
Suitable Location	DAMP
Ingress Protection Rating	IP40

LIFESPAN

Warranty (Years)	2
------------------	----------

CONSTRUCTION

Housing	22 Gauge C.R.S
Reflector	86% MIRO4 Aluminum
Base / Power Supply	Hard Wired
Finish	High Gloss Baked White Enamel

QUALIFICATIONS



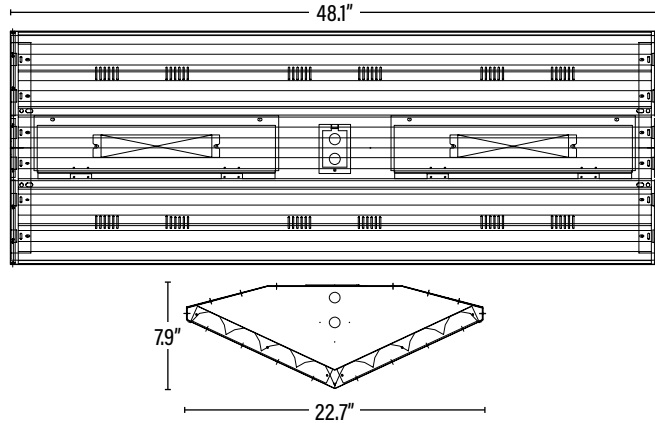
Operating temperature may vary depending on lamps used. • Specifications are subject to change without notice.

Item#: **55654**
LED DIAMOND HIGH BAY™ - 8 LAMP



ITEM INFORMATION

DIMENSIONS (Inches)	
Length	48.1"
Width	22.7"
Height	7.9"
Weight (Lbs)	--



SUPPORTING DOCUMENTS (Grey = not available at this time.)	
Product Sheet	VIEW
Install Instructions	VIEW

PACKAGING	UPC	DIMENSIONS (LxWxH)	GROSS WEIGHT (Lbs)	
Master Carton	1	811768025286	48.5" x 23.4" x 8.3"	17.6
Country of Origin	China			
HS Tariff	9405.10.6020			

ORDERING		
ITEM#	DESCRIPTION	CASE
55654	LED DIAMOND HIGH BAY™ FOR 8 T8	1

ACCESSORIES/REPLACEMENT PARTS		
54896	LOW/HIGH BAY FIXTURE OCCUPANCY PIR SENSOR 30FT DIA, 8-40FT HEIGHT 800W/1200W - 120/277V	50
54894	EXTENDER MOUNT FOR SENSOR 54896/54897/54898	100
45000	V HOOK FOR HANGING FLUORESCENT FIXTURE (2 PER SET)	1
45002	100FT ROLL NO. 12 JACK CHAIN	Per Foot

ADDITIONAL INFORMATION:

- Pairs with Direct Wire Single-End or Double-End UL Type B Lamps. Follow specific lamp installation wiring instructions for correct wiring.