



Item#: **55670**
LED 2X2 BACK-LIT PANEL
 2X2 LUMINARIES FOR AMBIENT LIGHTING OF
 INTERIOR COMMERCIAL SPACES

FEATURES

- High Efficiency, Energy Saving
- Up to 36% Savings vs. T8 Fluorescent
- Low glare, bright consistent lighting
- For covered ceilings only
- Earthquake proof hooks included

APPLICATION

Ideal for offices, conference rooms, hospitals, lobbies, hotels, classrooms, workshops, cafeterias and other common areas.

PERFORMANCE DATA

ELECTRICAL

Wattage	28W
Voltage	120-277V
Current	0.23-0.1A
Power Factor	0.9
Total Harmonic Distortion (THD)	10

LIGHTING PERFORMANCE

Lumens	3528
Lumens Per Watt (LPW)	126
Color Temperature (CCT)	4000K
Color Rendering (CRI)	82
R9 (Red Value)	--
R13 (Skin Tones)	--
Beam Angle	120°
Light Distribution	Type VS
BUG Rating (Backlight, Uplight, and Glare)	--
Dimmable Lighting Control	<i>Dimmable</i> 0-10V, Range 10% - 100%

ENVIRONMENT

Operating Temperature	-4 ~ 113°F
Suitable Location	DAMP
Ingress Protection Rating	IP40

LIFESPAN

Average Life (Hours)	50,000
Warranty (Years)	5

COMPONENTS

LED Light Source	--
Driver	--

CONSTRUCTION

Housing	Aluminum
Lens	Frosted
Base / Power Supply	Hard Wired
Finish	White

QUALIFICATIONS

Pending

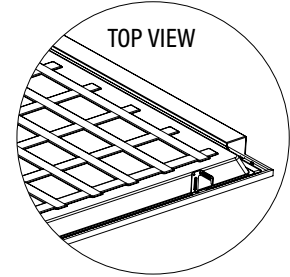
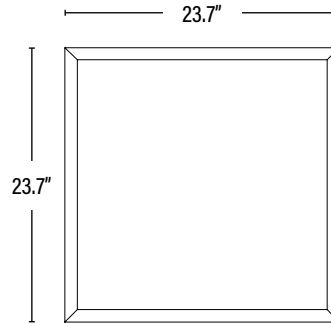
Published lumens on LED products are approximate and may vary slightly. • Specifications are subject to change without notice.

Item#: **55670**
LED 2X2 BACK-LIT PANEL



DIMENSIONS (Inches)

Length	23.7"
Width	23.7"
Height	1.6"
Weight (Lbs)	--



SUPPORTING DOCUMENTS (Grey = not available at this time.)

Product Sheet	VIEW
Install Instructions	VIEW
IES Download from Web Item	VIEW
LM79	VIEW
LM80	VIEW

PACKAGING

		UPC	DIMENSIONS (LxWxH)	GROSS WEIGHT (Lbs)
Master Carton	2	10854432004375	--	--
Individual Box	1	854432004378	N/A	--
Country of Origin	China			
HS Tariff	9405.10.6020			

ORDERING

ITEM#	DESCRIPTION	CASE
55670	LED 2X2 PANEL - 28W/40K/120-277V/DIMMABLE/V2 - SUPERIOR LIFE®	2

ACCESSORIES

55128	2X2 FLANGE KIT FOR PANEL & TROFFER/WHITE - SUPERIOR LIFE®	1
55531	2X2 SURFACE MOUNTED KIT FOR LED BACK-LIT PANEL/WHITE - SUPERIOR LIFE®	1
55445	SUSPENDED CABLE MOUNTING KIT FOR LED PANEL/V6 - SUPERIOR LIFE®	100
55394	EMERGENCY PACK FOR LED PANEL 8W/90 MIN - SUPERIOR LIFE®	10
55393	MOUNTING BRACKET AND WIRE BOXES FOR 55394 EMERGENCY PACK FOR LED 2X2 OR 2X4 PANEL - SUPERIOR LIFE®	20

REPLACEMENT PARTS

--	REPLACEMENT LED DRIVER	1
----	------------------------	---

ADDITIONAL INFORMATION:

Family Item(s): 55669/3500K - 55671/5000K

ITEM INFORMATION