



ORDERING CODE

55730

FEATURES

- Provides multi-level control based on motion and/or daylight contribution.
- Controls 0-10V VDC LED drivers or dimming ballasts.
- 360° detection range.
- All control parameters can be adjusted by using 55709 remote. *(Remote ordered separately)*

APPLICATION

Sensor is designed for use with select PQL fixtures that are equipped with a compatible sensor socket.

| | |
|-----------------|---------------------------|
| Project _____ | Date _____ |
| Catalog # _____ | Quantity _____ Type _____ |

PRODUCT INFORMATION

| ELECTRICAL | |
|---------------|--------|
| Power Supply | 12V DC |
| Input Current | 9mA |
| Standby Power | <0.5W |

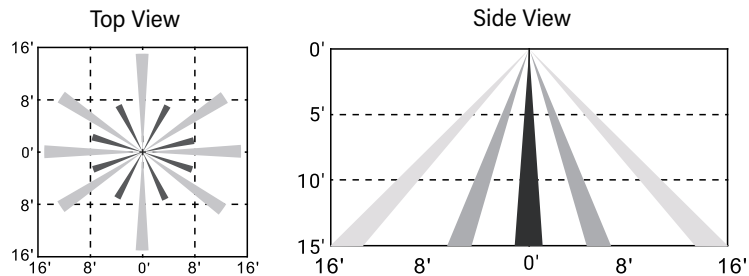
| PERFORMANCE | |
|-----------------|-----------|
| Detection Range | 32ft Max. |
| Mounting Height | 15ft Max. |

| ENVIRONMENT | |
|-----------------------|---------------|
| Operating Temperature | -22°F ~ 158°F |
| Suitable Location | Damp |
| IP Rating | IP20 |

| CONSTRUCTION | |
|---------------------|-----------------|
| Housing | PC |
| Base / Power Supply | Plug-In (3-Pin) |
| Finish | White |

| DEFAULT SETTINGS |
|---|
| Motion set to 100%. No Motion ≥ 5 minutes: Dim to 30%. No Motion ≥ 60 minutes: Off. |

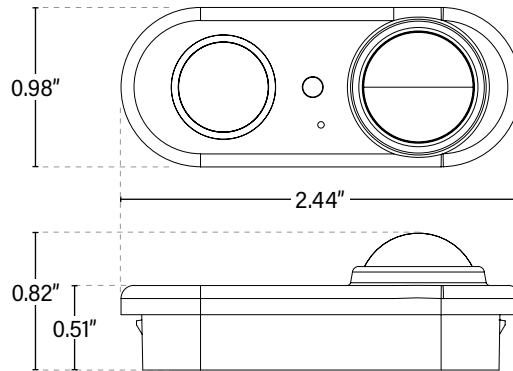
COVERAGE



ORDERING CODE
55730

PQL
PREMIUM QUALITY LIGHTING®

DIMENSIONS



ORDERING

| CODE | DESCRIPTION | CASE |
|--------------------|--|------|
| 55730 | INTEGRATED LOW VOLTAGE DAYLIGHT HARVESTING/BI-LEVEL PIR MOTION SENSOR/12V DC | 100 |
| ACCESSORIES | | |
| 55709 | REMOTE CONTROL FOR PHOTO/MICROWAVE MOTION SENSOR | 150 |

PACKAGING

| MASTER CASE | |
|--------------------|----------------|
| Dimensions (LxWxH) | -- |
| UPC | 10811768027782 |
| INDIVIDUAL ITEM | |
| Dimensions (LxWxH) | Bag |
| UPC | 811768027785 |

COO: China • Tariff: --