



Item#: **55762-8WEM**
LED 4' SPEC-SELECT™
DESIGNER STRIP
DIRECT LINEAR AMBIENT LUMINARIES

FEATURES

Spec-Select™ Designer Strips are like 9 fixtures in 1, featuring adjustable wattage and color temperature for the perfect balance of light in any application.

- Adjustable Wattage (3 settings)
- Adjustable Color (3 settings)
- Integrated Sensor Option (ISO). Sensor and elbow sold separately.
- 8W emergency battery pre-installed.
- Easy installation.

APPLICATION

Ideal for larger warehouses, retail applications, commercial buildings and work areas.

ELECTRICAL

Wattage	18W / 25W / 30W
Voltage	120-277V
Current	30W @ 120V = 0.25A
Power Factor	0.9
Total Harmonic Distortion (THD)	12.7

LIGHTING PERFORMANCE

Lumens	2376 / 3300 / 3960
Lumens Per Watt (LPW)	132
Color Temperature (CCT)	3500K / 4100K / 5000K
Color Rendering (CRI)	82
R9 (Red Value)	5
Beam Angle	130°
Light Distribution	Type II, Very Short
BUG Rating (Backlight, Uplight, and Glare)	B1 - U3 - G2
Dimmable Lighting Control	From optional 12VDC sensor, or customer 0-10V controls.

ENVIRONMENT

Operating Temperature	-4 ~ 122°F
Suitable Location	DAMP
Ingress Protection Rating	IP40

LIFESPAN

Average Life (Hours)	50,000
Warranty (Years)	5

COMPONENTS

LED Light Source	Bridgelux
Driver	SIF30-I0650-SS
Emergency Battery	55703
Sensor Socket	12VDC AUX.

CONSTRUCTION

Housing	Aluminum
Lens	Frosted
Base / Power Supply	Hard Wired
Finish	White

QUALIFICATIONS



Visit www.designlights.org/search to confirm qualification. • Published lumens on LED products are approximate and may vary slightly. • Specifications are subject to change without notice.

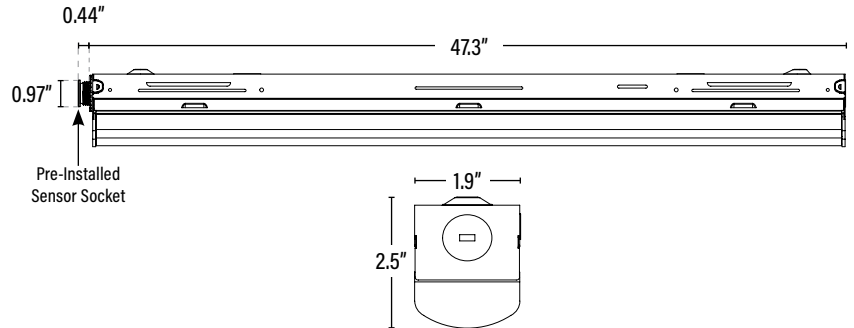
Item#: **55762-8WEM**
LED 4' SPEC-SELECT™ DESIGNER STRIP



ITEM INFORMATION

DIMENSIONS (Inches)

Length	47.3"
Width	1.9"
Height	2.5"
Net Weight (Lbs)	--



SUPPORTING DOCUMENTS (Grey = not available at this time.)

Product Sheet	VIEW
Install Instructions	VIEW
Emergency Battery	VIEW
IES Download from Web Item	VIEW
LM79	VIEW
LM80	VIEW

PACKAGING

		UPC	DIMENSIONS (LxWxH)	GROSS WEIGHT (Lbs)
Master Carton	6	10899645001032	49.3" x 7.2" x 8.7"	--
Individual Box	1	899645001035	48.6" x 2.2" x 2.7"	--
Country of Origin	China			
HS Tariff	--			

ORDERING

ITEM#	DESCRIPTION	CASE
55762-8WEM	LED 4FT SPEC-SELECT™ DESIGNER STRIP/18-25-30W/35-50K/DIMM/ISO/ISO/120-277V/8W EMB - DLC®	6

ACCESSORIES

54871	BI-LEVEL PIR MOTION & DAYLIGHT SCREW-IN SENSOR FOR ISO STRIPS & VAPOR TIGHTS/40FT (REQUIRES 12-24VDC AUX & ELBOW #54876)	100
54872	BI-LEVEL MICROWAVE MOTION & DAYLIGHT SCREW-IN SENSOR FOR ISO STRIPS & VAPOR TIGHTS/40FT (REQUIRES 12-24VDC AUX & ELBOW #54876)	100
54876	EXTERNAL SWIVEL QUICK CONNECT ADJUSTABLE ELBOW FOR 54871/54872 (For best sensor performance.)	100
55454	ROW ALIGNER FOR DESIGNER STRIP	100
45001	V HOOK FOR HANGING DESIGNER STRIP FIXTURE (2 PER SET)	100

REPLACEMENT PARTS

55703	EMERGENCY PACK FOR SLIM LED STRIP/VAPOR TIGHT 8W/90 MIN	1
54875	REPLACEMENT QUICK CONNECT SOCKET BASE FOR ISO	1
OBC-DS	OUTLET BOX COVER FOR DESIGNER STRIP	1
SIF30-I0650-SS	REPLACEMENT DRIVER	1

ADDITIONAL INFORMATION:

- Default settings; 18W, 5000K.
- When the fixture is in emergency mode the color temperature will default to 5000K.
- The color temperature and wattage may be adjusted by two slide switches integrated into the driver. For additional information refer to the install instructions.

