

# GO-LED™ SEAMLESS - SPEC-SELECT TROFFER

## INSTALL INSTRUCTIONS



**PLEASE FIND A QUALIFIED ELECTRICIAN FOR INSTALLATION.** Please read the instructions before you install and use the luminaire.

### WARNINGS, CAUTIONS AND OPERATING INSTRUCTIONS

- Before installing, servicing, or performing routine maintenance upon this equipment, follow these general precautions.
- Keep these instructions for reference.
- This fixture must be wired in accordance with the National Electrical Code and applicable local codes and ordinances. If you are unsure about the installation or maintenance of the luminaires, consult a qualified licensed electrician and check your local electrical code.
- Service and maintenance of luminaires should be performed by a qualified licensed electrician.
- Disconnect power before installing or servicing.
- Do NOT use this product for other than intended use.
- To prevent early product failure, luminaire should only be used in operating environments ranging from -4°F to 104°F (-20°C to 40°C).
- Wear gloves and safety goggles always when removing luminaire from carton, installing, servicing or performing maintenance.
- This device complies with part 15 of the FCC rules. Operation is subject to the following two conditions: (1) This device may not cause harmful interference, and (2) this device must accept any interference received, including interference that may cause undesired operation.

### WARNING: RISK OF FIRE OR ELECTRICAL SHOCK

- Turn off electrical power at fuse or circuit breaker box before wiring fixture to the power supply.
- Turn off the power when you perform any maintenance.
- Verify that supply voltage is correct by comparing it with the luminaire label information.
- Make all electrical and grounded connections in accordance with the National Electrical Code and any applicable local code requirements.
- All wiring connections should be capped with UL approved wire connectors.

### CAUTION: RISK OF INJURY

- Avoid direct eye exposure to the light source while it is on.
- Account for small parts and destroy packing material, as these may be hazardous to children.
- Green ground screw is provided in the proper location. DO NOT RELOCATE.
- Minimum 90° supply conductors.
- Suitable for Dry or Damp locations.

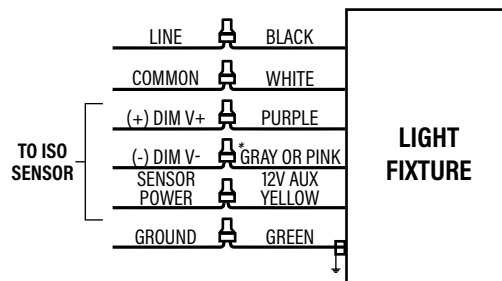
**! WARNING DISCONNECT POWER BEFORE INSTALLING OR SERVICING.**

### GENERAL WIRING DIAGRAM

**WARNING:** ALL units must be individually connected to the AC supply.

- Connect the BLACK fixture lead to the LINE (Hot) supply lead.
- Connect the WHITE fixture lead to the COMMON supply lead.
- Connect the GROUND wire from fixture to SUPPLY ground.

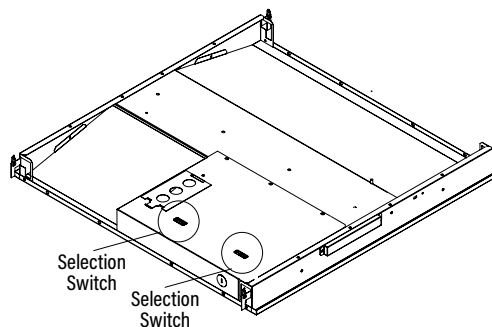
*\*Per NEMA rule-change Dim (-) control wires changed from gray to pink after Jan. 01, 2022.*



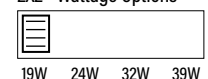
### FIELD ADJUSTABLE WATTAGE & CCT

The end user may adjust the color temperature and lumen output, respectively, by the two slide switches integrated into the driver. The CCT switch corresponds to 3 color temperatures (3500K, 4000K, and 5000K), and the wattage switch has 4 selections, which allows the fixture to be adjusted to the desired combination.

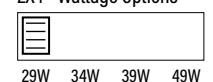
1. Switches are located on the driver.
2. Select a wattage and color temperature by sliding switch left or right respectively to the desired value.



#### 2X2 - Wattage Options



#### 2X4 - Wattage Options



#### CCT Options

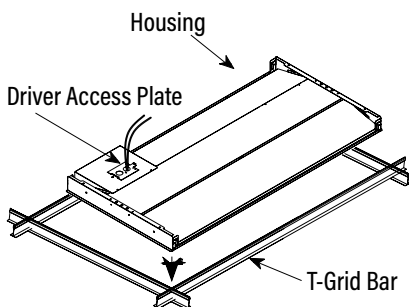


# GO-LED™ SEAMLESS - SPEC-SELECT TROFFER

## INSTALL INSTRUCTIONS

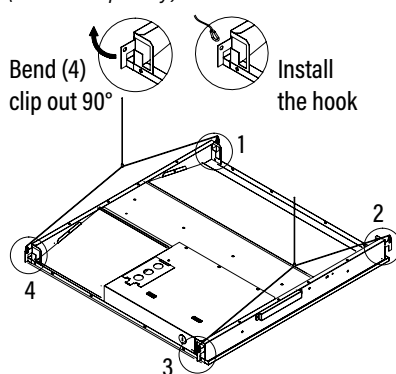
**WARNING** - TURN OFF POWER SUPPLY FROM MAIN CIRCUIT BREAKER BEFORE INSTALLING OR SERVICING.

### RECESSED CEILING INSTALLATION



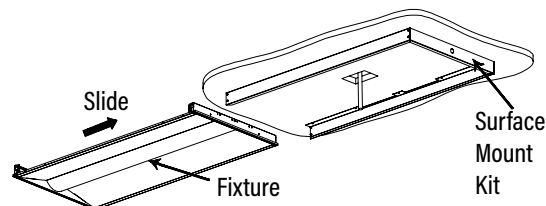
### SUSPENDED INSTALLATION

(Cable sold separately.)



### SURFACE MOUNT INSTALLATION

(Surface Mount Kit sold separately.)

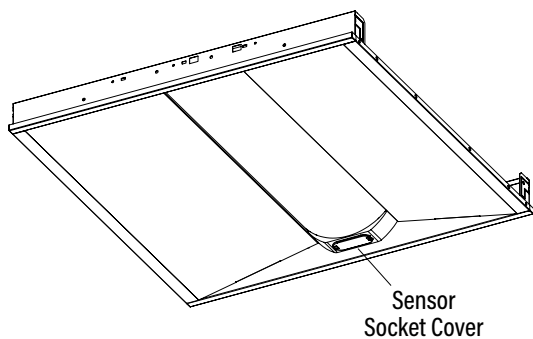


### FIXTURES W/ISO - INTEGRATED SENSOR OPTION

(Sensor #54895 requires adapter #54886 for proper installation, items sold separately.)

For fixtures with an integrated sensor socket.

1. Remove sensor socket cover.
2. Disconnect the flat cable from the back of the socket cover.
3. Insert the socket adapter mounting bracket into fixture socket.
4. Connect the flat cable to the terminals of the sensor.
5. Push sensor into socket adapter, and make sure it is securely seated in place.



### EMERGENCY BATTERY INSTALLATION

(#83893 - Battery sold separately)

1. Loosen the screws to open the driver box. (Fig. 1)
2. Use (2) 4\*4\*8 screws to fasten both end of the battery and emergency driver. (Fig. 2)
3. Wiring as shown in wiring diagram. (Fig. 3)
4. Reinstall driver box.

Fig. 1

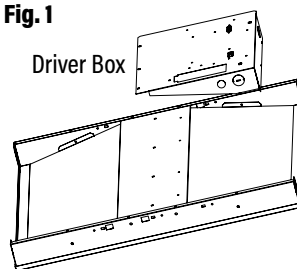


Fig. 2

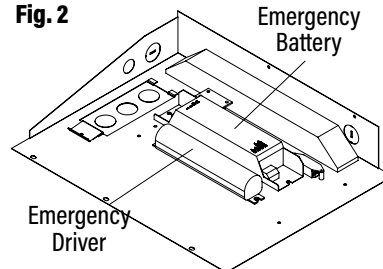


Fig. 3

