



Item#: **57733**  
**48" VAPOR TIGHT 3/F32**  
FLUORESCENT FIXTURE

**FEATURES**

- Diffusing lens for uniform light.
- Gasket formed to housing provides a seamless seal and protects lamps from dust and humidity.
- Die formed galvanized steel mounting brackets.
- Stainless steel clips
- 18 AWG 3 Conductor (10A /-40°C ~ 90°C /Dia .305")

**MOUNTING**

Surface or suspended mounting.

**APPLICATION**

Ideal for commercial and industrial environments; tunnels, stairwells, parking garages, cold storage, and airports. *Not designed for use in car washes, truck wash bays, or where exposed to harsh chemicals.*

**ELECTRICAL**

Ballast Brand	Sylvania
Ballast Configuration	332
Lamp Type (not included)	F32T8
Number of Lamps	3
Voltage	120-277V

**ENVIRONMENT**

Operating Temperature (fixture only)*	-4° ~ 104°F
Suitable Location	<b>WET</b>
Ingress Protection Rating	IP65

**LIFESPAN**

Warranty (Years)	<b>2</b>
------------------	----------

**CONSTRUCTION**

Housing	Polycarbonate
Base / Power Supply	Hard Wired
Lens	Vandal Resistant / PC
Clips	Stainless Steel
Finish	White

**QUALIFICATIONS**



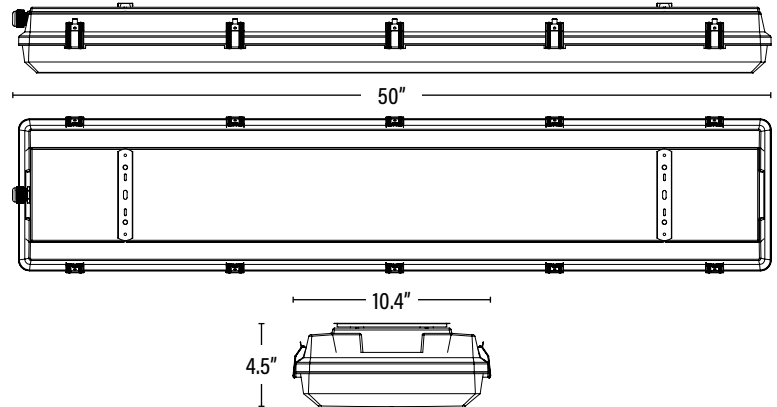
*Operating temperature may vary depending on lamps used. • Specifications are subject to change without notice.*

Item#: **57733**  
**48" VAPOR TIGHT 3/F32**



ITEM INFORMATION

<b>DIMENSIONS</b> (Inches)	
Length	50"
Width	10.4"
Height	4.5"
Net Weight (Lbs)	--



<b>SUPPORTING DOCUMENTS</b> (Grey = not available at this time.)	
Product Sheet	VIEW
Install Instructions	VIEW

<b>PACKAGING</b>	<b>UPC</b>	<b>DIMENSIONS</b> (LxWxH)	<b>GROSS WEIGHT</b> (Lbs)
Master Carton	1	--	50.8" x 10.4" x 3.3"
Country of Origin	China		
HS Tariff	9405.10.6020		

<b>ORDERING</b>		
<b>ITEM#</b>	<b>DESCRIPTION</b>	<b>CASE</b>
57733	VAPOR TIGHT 4FT (3) F32/UNIV STEEL CLIPS/FROSTED LENS - OS	1

<b>REPLACEMENT PARTS</b>		
<b>ITEM#</b>	<b>DESCRIPTION</b>	<b>CASE</b>
57730	STAINLESS STEEL CLIPS	1