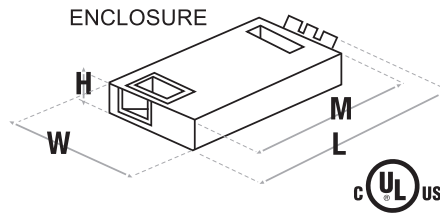
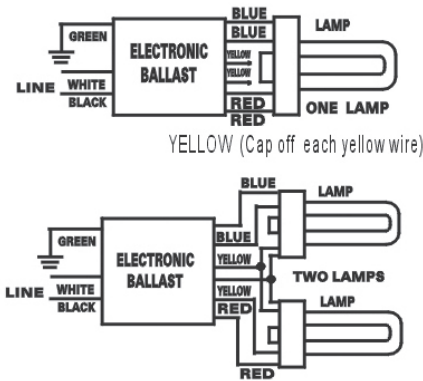


**WIRING DIAGRAM AND DIMENSIONS**



BALLAST TYPE	Electronic
STARTING METHOD	Programmed Start
LAMP CONNECTION	Series
INPUT VOLTAGE	120-277
INPUT FREQUENCY	60Hz

- CFL Ballast Kit Universal Quick Connect
- Universal Mounting
- Optional Bracket and Wires Included

Over All (L)	Width (W)	Height (H)	Mounting (M)
4.9"	2.5"	1.14"	4.48"

**ELECTRICAL SPECIFICATIONS AT 120V**

Lamp Type	NO. of Lamps	Rated Lamp Watts	Min Start Temp ( /C)	Input Current (Amps)	Input Power (ANSI Watts)	Ballast Factor	MAX THD %	Power Factor	MAX Lamp Current Crest Factor	BEF
PLT18W	2	18	-4/-20	0.34	40	1.1	10	0.99	1.7	2.75
PLC18W	2	18	-4/-20	0.34	41	1.12	10	0.99	1.7	2.73
PLT13W	2	13	-4/-20	0.28	34	1.3	10	0.99	1.7	3.82
PLC13W	2	13	-4/-20	0.29	35	0.31	10	0.99	1.7	0.89
2D16W	2	16	-4/-20	0.31	38	0.92	10	0.99	1.7	2.42
PLT18W	1	18	-4/-20	0.17	21	1.29	15	0.99	1.7	6.14
PLC18W	1	18	-4/-20	0.18	22	1.33	15	0.99	1.7	6.05
PLT13W	1	13	-4/-20	0.18	19	1.47	17	0.98	1.7	7.74
PLC13W	1	13	-4/-20	0.17	18	1.47	17	0.98	1.7	8.17
2D21W	1	21	-4/-20	0.17	20	0.77	15	0.99	1.7	3.85
2D16W	1	16	-4/-20	0.18	21	0.98	15	0.99	1.7	4.67
FC9T5	1	22	-4/-20	0.17	20	1.08	15	0.99	1.7	5.40

**ELECTRICAL SPECIFICATIONS AT 277V**

Lamp Type	NO. of Lamps	Rated Lamp Watts	Min Start Temp ( /C)	Input Current (Amps)	Input Power (ANSI Watts)	Ballast Factor	MAX THD %	Power Factor	MAX Lamp Current Crest Factor	BEF
PLT18W	2	18	-4/-20	0.15	41	1.1	15	0.99	1.7	2.68
PLC18W	2	18	-4/-20	0.15	41	1.12	15	0.98	1.7	2.73
PLT13W	2	13	-4/-20	0.13	35	1.3	15	0.98	1.7	3.71
PLC13W	2	13	-4/-20	0.13	36	0.31	15	0.98	1.7	0.86
2D16W	2	16	-4/-20	0.14	38	0.92	15	0.98	1.7	2.42
PLT18W	1	18	-4/-20	0.08	22	1.29	15	0.97	1.7	5.86
PLC18W	1	18	-4/-20	0.08	22	1.33	15	0.97	1.7	6.05
PLT13W	1	13	-4/-20	0.07	20	1.47	17	0.96	1.7	7.35
PLC13W	1	13	-4/-20	0.07	19	1.47	17	0.96	1.7	7.74
2D21W	1	21	-4/-20	0.08	21	0.77	15	0.97	1.7	3.67
2D16W	1	16	-4/-20	0.08	22	0.98	15	0.97	1.7	4.45
FC9T5	1	22	-4/-20	0.08	21	1.08	15	0.97	1.7	5.14