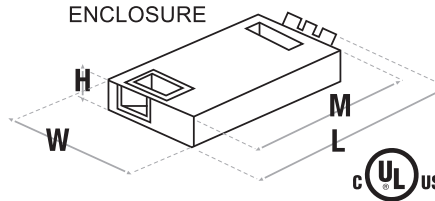
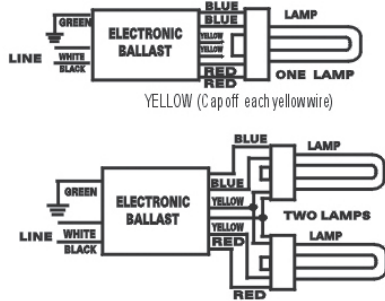


WIRING DIAGRAM AND DIMENSIONS



- CFL Ballast Kit Universal Quick Connect
- Universal Mounting
- Optional Bracket and Wires Included

BALLAST TYPE	Electronic
STARTING METHOD	Programmed Start
LAMP CONNECTION	Series
INPUT VOLTAGE	120-277
INPUT FREQUENCY	60Hz

Over All (L)	Width (W)	Height (H)	Mounting (M)
5"	3"	1.34"	4.6"

ELECTRICAL SPECIFICATIONS AT 120V

Lamp Type	NO. of Lamps	Rated Lamp Watts	Min Start Temp (°C)	Input Current (Amps)	Input Power (ANSI Watts)	Ballast Factor	MAX THD %	Power Factor	MAX Lamp Current Crest Factor	BEF
PLT42W	2	42	-4/-20	0.807	88	0.92	10	0.99	1.7	1.05
PLT32W	2	32	-4/-20	0.55	66	0.96	10	0.99	1.7	1.45
PLT26W	2	26	-4/-20	0.46	56	1.07	10	0.99	1.7	1.91
PLL40W	2	40	-4/-20	0.66	79	0.85	10	0.99	1.7	1.08
PLL39W	2	39	-4/-20	0.54	64	0.67	10	0.99	1.7	1.05
PLL36W	2	36	-4/-20	0.51	62	0.91	10	0.99	1.7	1.47
PLT42W	1	42	-4/-20	0.38	45	0.99	15	0.99	1.7	2.20
PLT32W	1	32	-4/-20	0.3	35	0.99	20	0.98	1.7	2.83
PLL55W	1	55	-4/-20	0.36	43	0.67	20	0.99	1.7	1.56
PLL50W	1	50	-4/-20	0.39	47	0.88	20	0.99	1.7	1.87
PLL40W	1	40	-4/-20	0.36	42	0.91	20	0.99	1.7	2.17
PLL39W	1	39	-4/-20	0.3	35	0.67	25	0.98	1.7	1.91
PLL36W	1	36	-4/-20	0.28	33	0.9	25	0.98	1.7	2.73
40+22W CLT5	2	40+22	-4/-20	0.56	67	0.91	10	0.99	1.7	1.36
2D 38W	2	38	-4/-20	0.57	69	0.66	10	0.99	1.7	0.96
2D 28W	2	28	-4/-20	0.51	61	0.81	10	0.99	1.7	1.33

ELECTRICAL SPECIFICATIONS AT 277V

Lamp Type	NO. of Lamps	Rated Lamp Watts	Min Start Temp (°C)	Input Current (Amps)	Input Power (ANSI Watts)	Ballast Factor	MAX THD %	Power Factor	MAX Lamp Current Crest Factor	BEF
PLT42W	2	42	-4/-20	0.36	88	0.92	20	0.99	1.7	1.05
PLT32W	2	32	-4/-20	0.24	66	0.96	20	0.98	1.7	1.45
PLT26W	2	26	-4/-20	0.21	56	1.07	20	0.98	1.7	1.91
PLL40W	2	40	-4/-20	0.29	80	0.85	20	0.98	1.7	1.06
PLL39W	2	39	-4/-20	0.24	66	0.67	20	0.98	1.7	1.02
PLL36W	2	36	-4/-20	0.23	64	0.91	20	0.98	1.7	1.42
PLT42W	1	42	-4/-20	0.18	48	0.99	30	0.96	1.7	2.06
PLT32W	1	32	-4/-20	0.13	36	0.99	50	0.91	1.7	2.75
PLL55W	1	55	-4/-20	0.16	44	0.67	35	0.95	1.7	1.52
PLL50W	1	50	-4/-20	0.18	48	0.88	25	0.96	1.7	1.83
PLL40W	1	40	-4/-20	0.17	44	0.91	35	0.95	1.7	2.07
PLL39W	1	39	-4/-20	0.14	36	0.67	50	0.92	1.7	1.86
PLL36W	1	36	-4/-20	0.13	35	0.9	45	0.92	1.7	2.57
40+22W CLT5	2	40+22	-4/-20	0.25	68	0.91	10	0.99	1.7	1.34
2D 38W	2	38	-4/-20	0.25	70	0.66	10	0.99	1.7	0.94
2D 28W	2	28	-4/-20	0.23	62	0.81	10	0.99	1.7	1.31