



Item#: **70211**
T8 BALLAST
ELECTRONIC BALLAST

FEATURES

- Optimum performance while maintaining a high level of efficiency.
- Ballasts comply with the OEM requirements of the top light fixture manufacturers.
- Multi voltage technology and class A sound rating.
- Automatic restart capability and end of life lamp protection.

APPLICATION

Used in offices, board rooms, retail lighting, or wherever a ballast is required.

DIMENSIONS (Inches)

Length	9.5"
Width	1.7"
Height	1.1"
Weight (Lbs)	--

SUPPORTING DOCUMENTS

Product Sheet	VIEW
---------------	------

PACKAGING

		UPC	DIMENSIONS (LxWxH)	GROSS WEIGHT (Lbs)
Master Carton	10	--	13.4" x 9.8" x 3.2"	15.9
Individual Box	1	811768023664	--	1.6
Country of Origin	China			
HS Tariff	8504.10.0000			

ORDERING

ITEM#	DESCRIPTION	CASE
70211	BALLAST 3 OR 4 F32 120-277V/PROGRAM START	10

ELECTRICAL

Wattage	32W
Voltage	120-277V
Current	0.94A / 0.40A
Ballast Type	Electronic
Starting Method	Program Start
Lamp Connection	Parallel
Status	Active

ENVIRONMENT

Minimum Starting Temperature	32°F / 0°C
Suitable Location	DAMP

LIFESPAN

Warranty (Years)	5
------------------	----------

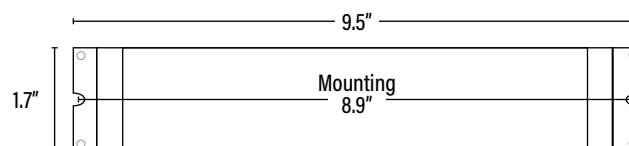
CONSTRUCTION

Housing	Steel
Finish	Silver

QUALIFICATIONS



Specifications are subject to change without notice.

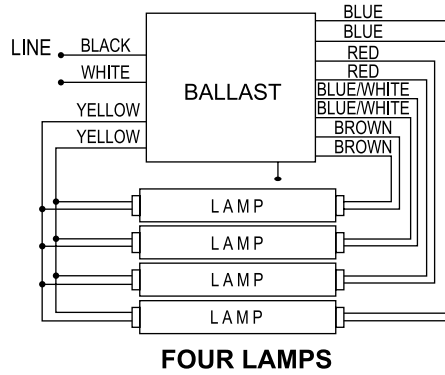
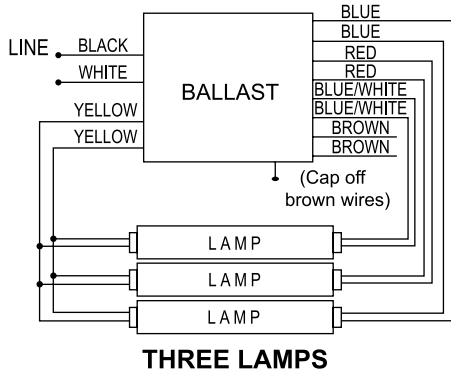


Item#: **70211**
T8 BALLAST



ELECTRICAL DATA

WIRING DIAGRAMS



STANDARD LEAD LENGTHS	
Black	18.8"
White	
Blue	30.9"
Red	
Yellow	46.4"
Blue/White	30.9"
Brown	

120V - ELECTRICAL SPECIFICATIONS

LAMP TYPE	NO. OF LAMPS	RATED LAMP WATTAGE	MIN. START TEMP (°F/°C)	INPUT CURRENT (AMPS)	INPUT POWER (ANSI WATTS)	BALLAST FACTOR	MAX THD %	POWER FACTOR	MAX LAMP CURRENT CREST FACTOR	BEF
F17T8	4	17	0/-18	0.48	57	0.92	15	0.99	1.7	1.61
	3	17	0/-18	0.42	49	1	15	0.99	1.7	2.04
F25T8	4	25	0/-18	0.67	81	0.91	10	0.99	1.7	1.12
	3	25	0/-18	0.56	67	0.98	10	0.99	1.7	1.46
F32T8	4	32	0/-18	0.94	106	0.87	10	0.99	1.7	0.82
	3	32	0/-18	0.74	89	0.94	10	0.99	1.7	1.06
F32T8 ES (25W)	4	25	32/0	0.72	86	0.88	10	0.99	1.7	1.02
	3	25	32/0	0.59	71	0.97	10	0.99	1.7	1.37
F32T8 ES (28W)	4	28	32/0	0.83	100	0.87	10	0.99	1.7	0.87
	3	28	32/0	0.63	76	0.94	10	0.99	1.7	1.24
F32T8 ES (30W)	4	30	32/0	0.87	104	0.87	10	0.99	1.7	0.84
	3	30	32/0	0.67	80	0.94	10	0.99	1.7	1.18

230V - ELECTRICAL SPECIFICATIONS

LAMP TYPE	NO. OF LAMPS	RATED LAMP WATTAGE	MIN. START TEMP (°F/°C)	INPUT CURRENT (AMPS)	INPUT POWER (ANSI WATTS)	BALLAST FACTOR	MAX THD %	POWER FACTOR	MAX LAMP CURRENT CREST FACTOR	BEF
F17T8	4	17	0/-18	0.27	60	0.92	15	0.98	1.7	1.53
	3	17	0/-18	0.23	52	1	20	0.97	1.7	1.92
F25T8	4	25	0/-18	0.36	82	0.91	15	0.99	1.7	1.11
	3	25	0/-18	0.31	69	0.98	15	0.98	1.7	1.42
F32T8	4	32	0/-18	0.46	106	0.88	10	0.99	1.7	0.83
	3	32	0/-18	0.40	91	0.95	15	0.99	1.7	1.04
F32T8 ES (25W)	4	25	32/0	0.38	86	0.88	15	0.99	1.7	1.02
	3	25	32/0	0.33	71	0.97	15	0.98	1.7	1.37
F32T8 ES (28W)	4	28	32/0	0.44	100	0.88	10	0.99	1.7	0.88
	3	28	32/0	0.34	78	0.95	10	0.99	1.7	1.22
F32T8 ES (30W)	4	30	32/0	0.46	104	0.88	10	0.99	1.7	0.85
	3	30	32/0	0.36	83	0.95	10	0.99	1.7	1.14

Item#: **70211**
T8 BALLAST



277V • ELECTRICAL SPECIFICATIONS

LAMP TYPE	NO. OF LAMPS	RATED LAMP WATTAGE	MIN. START TEMP (°F/C)	INPUT CURRENT (AMPS)	INPUT POWER (ANSI WATTS)	BALLAST FACTOR	MAX THD %	POWER FACTOR	MAX LAMP CURRENT CREST FACTOR	BEF
F17T8	4	17	0/-18	0.24	62	0.93	25	0.95	1.7	1.50
	3	17	0/-18	0.21	53	1.01	35	0.95	1.7	1.91
F25T8	4	25	0/-18	0.30	83	0.92	15	0.98	1.7	1.11
	3	25	0/-18	0.27	71	0.99	25	0.95	1.7	1.39
F32T8	4	32	0/-18	0.39	104	0.88	10	0.99	1.7	0.85
	3	32	0/-18	0.33	91	0.96	15	0.98	1.7	1.05
F32T8 ES (25W)	4	25	32/0	0.33	86	0.89	15	0.98	1.7	1.03
	3	25	32/0	0.27	71	0.97	15	0.98	1.7	1.37
F32T8 ES (28W)	4	28	32/0	0.37	98	0.88	10	0.99	1.7	0.90
	3	28	32/0	0.29	78	0.96	10	0.99	1.7	1.23
F32T8 ES (30W)	4	30	32/0	0.38	100	0.88	10	0.99	1.7	0.88
	3	30	32/0	0.30	83	0.96	10	0.99	1.7	1.16

ELECTRICAL DATA