



Item#: **70213**  
**T8 BALLAST**  
 ELECTRONIC BALLAST

**FEATURES**

- Optimum performance while maintaining a high level of efficiency.
- Ballasts comply with the OEM requirements of the top light fixture manufacturers.
- Multi voltage technology and class A sound rating.
- Automatic restart capability and end of life lamp protection.

**APPLICATION**

Used in offices, board rooms, retail lighting, or wherever a ballast is required.

**DIMENSIONS** (Inches)

Length	9.5"
Width	1.7"
Height	1.1"
Weight (Lbs)	--

**SUPPORTING DOCUMENTS**

Product Sheet	<a href="#">VIEW</a>
---------------	----------------------

**PACKAGING**

		UPC	DIMENSIONS (LxWxH)	GROSS WEIGHT (Lbs)
Master Carton	10	10811768023678	13.4" x 9.8" x 3.2"	13.2
Individual Box	1	811768023671	--	1.3
Country of Origin	China			
HS Tariff	8504.10.0000			

**ORDERING**

ITEM#	DESCRIPTION	CASE
70213	BALLAST 1 OR 2 F32 120-277V/HBF - SUPERIOR LIFE®	10

**ELECTRICAL**

Wattage	32W
Voltage	120-277V
Current	0.54A / 0.23A
Ballast Type	Electronic
Starting Method	Active Instant Start
Lamp Connection	Parallel
Status	Active

**ENVIRONMENT**

Minimum Starting Temperature	0°F / -18°C
Suitable Location	<b>DAMP</b>

**LIFESPAN**

Warranty (Years)	<b>5</b>
------------------	----------

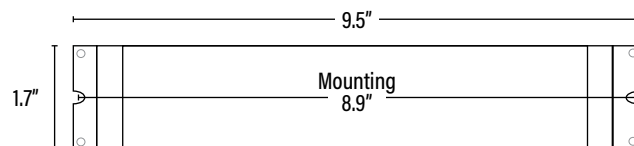
**CONSTRUCTION**

Housing	Steel
Finish	Silver

**QUALIFICATIONS**



Specifications are subject to change without notice.

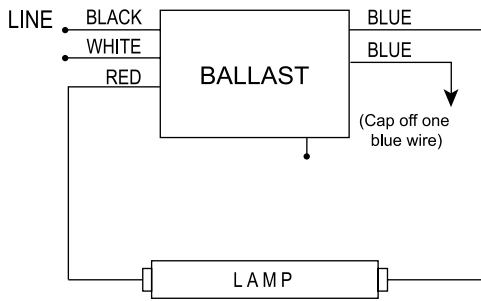


Item#: **70213**  
**T8 BALLAST**

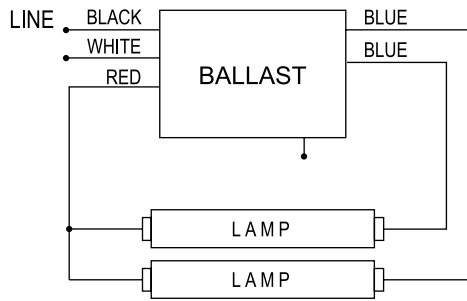


ELECTRICAL DATA

**WIRING DIAGRAMS**



**ONE LAMP**



**TWO LAMP**

STANDARD LEAD LENGTHS	
Black	18.8"
White	18.8"
Blue	30.9"
Red	46.4"

**120V - ELECTRICAL SPECIFICATIONS**

LAMP TYPE	NO. OF LAMPS	RATED LAMP WATTAGE	MIN. START TEMP (°F/C)	INPUT CURRENT (AMPS)	INPUT POWER (ANSI WATTS)	BALLAST FACTOR	MAX THD %	POWER FACTOR	MAX LAMP CURRENT CREST FACTOR	BEF
F17T8	2	17	0/-18	0.35	42	1.23	10	0.99	1.7	2.93
	1	17	0/-18	0.28	26	1.42	10	0.99	1.7	5.46
F25T8	2	25	0/-18	0.47	56	1.2	10	0.99	1.7	2.14
	1	25	0/-18	0.29	35	1.4	10	0.99	1.7	4.00
F32T8	2	32	0/-18	0.61	73	1.18	10	0.99	1.7	1.62
	1	32	0/-18	0.38	45	1.37	10	0.99	1.7	3.04
F40T8	1	40	0/-18	0.45	54	1.35	10	0.99	1.7	2.50

**230V - ELECTRICAL SPECIFICATIONS**

LAMP TYPE	NO. OF LAMPS	RATED LAMP WATTAGE	MIN. START TEMP (°F/C)	INPUT CURRENT (AMPS)	INPUT POWER (ANSI WATTS)	BALLAST FACTOR	MAX THD %	POWER FACTOR	MAX LAMP CURRENT CREST FACTOR	BEF
F17T8	2	17	0/-18	0.19	43	1.23	10	0.98	1.7	2.86
	1	17	0/-18	0.13	26	1.43	15	0.97	1.7	5.50
F25T8	2	25	0/-18	0.25	57	1.2	10	0.99	1.7	2.11
	1	25	0/-18	0.16	36	1.4	15	0.98	1.7	3.89
F32T8	2	32	0/-18	0.33	74	1.18	10	0.99	1.7	1.59
	1	32	0/-18	0.21	46	1.37	10	0.98	1.7	2.98
F40T8	1	40	32/0	0.25	55	1.35	10	0.99	1.7	2.45

**277V - ELECTRICAL SPECIFICATIONS**

LAMP TYPE	NO. OF LAMPS	RATED LAMP WATTAGE	MIN. START TEMP (°F/C)	INPUT CURRENT (AMPS)	INPUT POWER (ANSI WATTS)	BALLAST FACTOR	MAX THD %	POWER FACTOR	MAX LAMP CURRENT CREST FACTOR	BEF
F17T8	2	17	0/-18	0.16	43	1.23	15	0.97	1.7	2.86
	1	17	0/-18	0.11	26	1.42	20	0.95	1.7	5.46
F25T8	2	25	0/-18	0.21	58	1.2	10	0.98	1.7	2.07
	1	25	0/-18	0.14	36	1.4	15	0.96	1.7	3.89
F32T8	2	32	0/-18	0.27	74	1.18	10	0.99	1.7	1.59
	1	32	0/-18	0.18	46	1.37	15	0.97	1.7	2.98
F40T8	1	40	0/-18	0.21	55	1.35	10	0.98	1.7	2.45