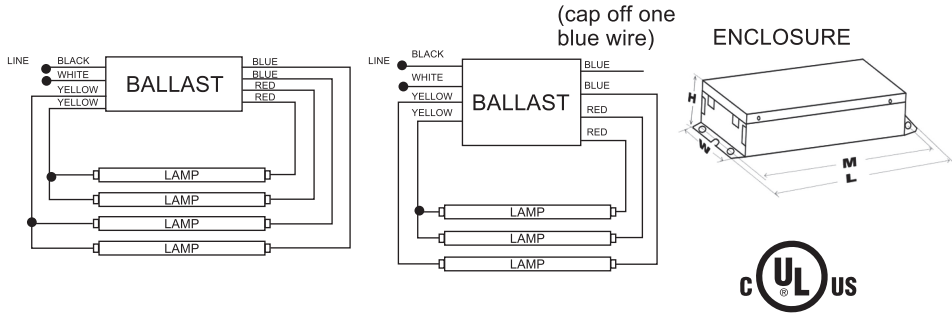


WIRING DIAGRAM AND DIMENSIONS



BALLAST TYPE	Electronic
STARTING METHOD	Active Instant Start
LAMP CONNECTION	Parallel
INPUT VOLTAGE	120-277
INPUT FREQUENCY	50/60Hz

Over All (L)	Width (W)	Height (H)	Mounting (M)
9.5"	2.4"	1.45"	8.9"

ELECTRICAL SPECIFICATIONS AT 120V

Lamp Type	NO. of Lamps	Rated Lamp Watts	Min Start Temp (/C)	Input Current (Amps)	Input Power (ANSI Watts)	Ballast Factor	MAX THD %	Power Factor	MAX Lamp Current Crest Factor	BEF
F32T8	4	32	0/-18	1.17	140	1.2	10	0.99	1.7	0.86
F32T8	3	32	0/-18	0.93	109	1.28	10	0.99	1.7	1.17
F25T8	4	25	0/-18	0.86	101	1.24	10	0.99	1.7	1.23
F25T8	3	25	0/-18	0.74	87	1.34	10	0.99	1.7	1.54
F17T8	4	17	0/-18	0.65	77	1.26	15	0.99	1.7	1.64
F17T8	3	17	0/-18	0.61	72	1.37	15	0.99	1.7	1.90
F40T8	3	40	32/0	1.07	127	1.19	10	0.99	1.7	0.94

ELECTRICAL SPECIFICATIONS AT 277V

Lamp Type	NO. of Lamps	Rated Lamp Watts	Min Start Temp (/C)	Input Current (Amps)	Input Power (ANSI Watts)	Ballast Factor	MAX THD %	Power Factor	MAX Lamp Current Crest Factor	BEF
F32T8	4	32	0/-18	0.494	134	1.2	10	0.99	1.7	0.90
F32T8	3	32	0/-18	0.4	111	1.31	15	0.98	1.7	1.18
F25T8	4	25	0/-18	0.38	103	1.26	15	0.98	1.7	1.22
F25T8	3	25	0/-18	0.33	91	1.35	25	0.95	1.7	1.48
F17T8	4	17	0/-18	0.3	82	1.27	25	0.93	1.7	1.55
F17T8	3	17	0/-18	0.27	73	1.38	25	0.92	1.7	1.89
F40T8	3	40	32/0	0.47	128	1.22	15	0.99	1.7	0.95