



# 73101

## MR16 FMV/FRONT GLASS LAMP

HALOGEN LAMP

### FEATURES

- Color stays consistent throughout life of the lamp.
- Nickel end pins for consistency.
- Titanium oxide coating on reflector
- Unique backing prevents rear light loss.

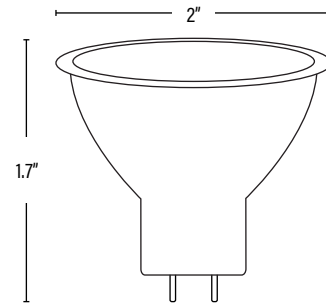
### APPLICATION

Used in retail, landscape, accent lighting and display cases.

### PRODUCT DETAILS

ELECTRICAL	
Wattage	35W
Voltage	12V
ANSI Code	FMV
LIGHTING PERFORMANCE	
Lumens	665
Lumens Per Watt	19
Color Temperature	3000K
Beam Angle	24°
Dimmable Lighting Control	<i>Dimmable</i>
LIFESPAN	
Average Life (Hours)	6,000
Warranty (Years)	1
CONSTRUCTION	
Housing	Glass
Base / Power Supply	GU5.3
Finish	Clear / Reflective
Lens	Yes

PACKAGING	
Master Carton	200pc / N/A
Inner Carton	10pc / N/A
Individual Box	N/A
Country of Origin	China
HS Tariff	8539.21.2080
DIMENSIONS	
Dimensions (Inches)	1.7"(L) x 2"(DIA)



### ORDERING

ITEM#	DESCRIPTION	CASE
73101	35MR16/FMV/24°/FG - LIGHT STAR®	10/200

**Note:** Halogen lamps operate at a very hot temperature and need to heat evenly. Please do not touch the lamp with bare hands, this leaves traces of grease and oil that can cause weak spots in the glass. Resulting in a shorter lifetime for this lamp.

Published lumens on products are approximate and may vary slightly.