



SELECTABLE
WATTAGE

Item#: **80830**
LED POWERZOOM™
TRACK HEAD - H STYLE
SPOT LIGHT ARCHITECTURAL LUMINARIES

FEATURES

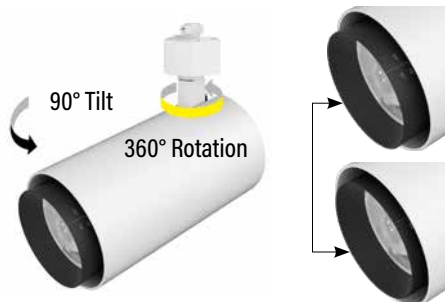
Powerzoom™ track lighting features adjustable wattage and beam angle for dynamic lighting in any application.

- Modern design, for a clean visual appearance
- Superior uniform light coverage
- Smooth zoom for precision light distribution
- Energy efficient
- No flickering
- 360° head rotation with 90° tilt

APPLICATION

Designed for a variety of applications; architectural, retail stores, offices, lobbies, museums.

ADJUSTABLE LIGHTING



Rotate lens to
adjust beam angle
from 15° to 33°

PERFORMANCE DATA

ELECTRICAL

Wattage	25W / 32W
Voltage	120V
Current	320mA Max.
Power Factor	0.9
Total Harmonic Distortion (THD)	15

LIGHTING PERFORMANCE

Lumens	2147-2961	
Lumens Per Watt (Lm/W)	86-93	
Color Temperature (CCT)	3500K	
Color Rendering (CRI)	90	
Beam Angle	15°-33°	
Light Distribution	25W: 24°	Very Short, Type 1
	25W / 32W	Type VS
BUG Rating (Backlight, Uplight, and Glare)	25W: 15° / 24°	B2 - Ux - G0
	25W / 32W	B3 - Ux - G0
Dimmable Lighting Control	Dimmable Triac/ELV Dimming	

ENVIRONMENT

Operating Temperature	-4 ~ 104°F
Suitable Location	DRY
Ingress Protection Rating	IP20
Fixture Type	Open

LIFESPAN

Average Life (Hours)	50,000
Warranty (Years)	2

COMPONENTS

LED Light Source	CLM-22-27-90-36-AC40
Driver (Non-Replaceable)	Internal

CONSTRUCTION

Housing	Aluminum
Base / Power Supply	H Style
Finish	White

QUALIFICATIONS

Model Number	STR-32-H-35K-YY-WH
--------------	--------------------



Published lumens on LED products are approximate and may vary slightly. • Specifications are subject to change without notice.

Item#: **80830**
LED POWERZOOM™ TRACK HEAD - H STYLE



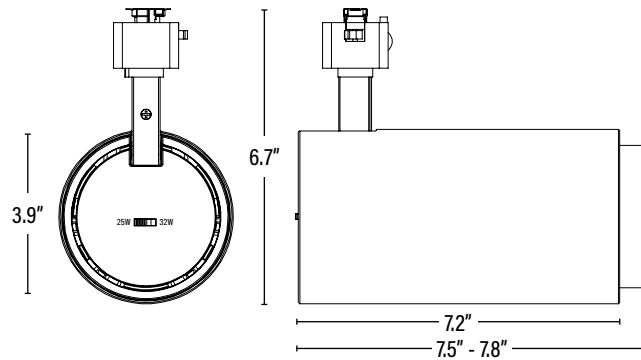
ITEM INFORMATION

DIMENSIONS (Inches)

Length	7.8" Max.
Diameter/Width	3.9"
Height	6.7"
Net Weight (Lbs)	3.1

SUPPORTING DOCUMENTS (Grey = not available at this time.)

Product Sheet	VIEW
Install Instructions	VIEW
IES Download from Web Item	VIEW
Photometric Refer to Web Item	VIEW
LM79	NOT AVAILABLE
LM80	VIEW



PACKAGING

		UPC	DIMENSIONS (LxWxH)	GROSS WEIGHT (Lbs)
Master Carton	8	10854432004603	23.5" x 11.9" x 11.4"	29.7
Individual Box	1	854432004606	5.6" x 5.6" x 10.8"	3.7
Country of Origin	China			
HS Tariff	--			

ORDERING Qualification Model # STR-32-H-35K-YY-WH

ITEM#	DESCRIPTION	CASE
80830	LED POWERZOOM™ 25/32W/35K/DIMMABLE/WHITE/H STYLE - SUPERIOR LIFE®	8

ADDITIONAL INFORMATION:

- The wattage may be adjusted by the slide switches on the back of the track head.
- Compatible with H track types - *H type fitting is only compatible with single-circuit track types.*

