

# 82198 • FLUORESCENT EMERGENCY BACKUP

## INSTALL INSTRUCTIONS



**PLEASE FIND A QUALIFIED ELECTRICIAN FOR INSTALLATION.** Please read the instructions before you install and use the luminaire.

### IMPORTANT SAFEGUARDS

1. READ AND FOLLOW ALL SAFETY INSTRUCTIONS.
2. To prevent high voltage from being present on the output leads (red and yellow), do not join battery connector until installation is completed and AC power is supplied to the emergency ballast.
3. All electrical connections must be in accordance with local code and the National Electric Code.
4. To reduce the risk of electric shock, disconnect both normal and emergency power supplies and battery connector of the emergency ballast before installation.
5. Do not use outdoors. This emergency ballast is for indoor fixtures except air outlets or hazardous location fixtures.
6. An unswitched AC power source is required (100 or 277 Volts). Properly cap the unused AC lead.
7. Do not mount near gas or electric heaters.

8. Do not attempt to service the battery. A sealed, no-maintenance battery is used that is not field replaceable. Replace the entire battery when necessary.
9. This emergency ballast is for one fluorescent lamp 14W through 54W (2'-4') T5 Bi Pin, except 35W, 22W T5 circular, 36W through 55W (4-Pin) long compact, 32W (4-Pin) compact, 32W (4'), 40W (5') and 44W HO (4') T8 Bi Pin for 90 minutes at reduced light output.
10. This product should be mounted in location and at heights where it will not readily be subject to tampering by unauthorized personnel.
11. This emergency ballast is for factory or field installation.
12. Do not use this emergency ballast other than intended use.
13. All servicing should be performed by qualified personnel only.

### SAVE THESE INSTRUCTIONS

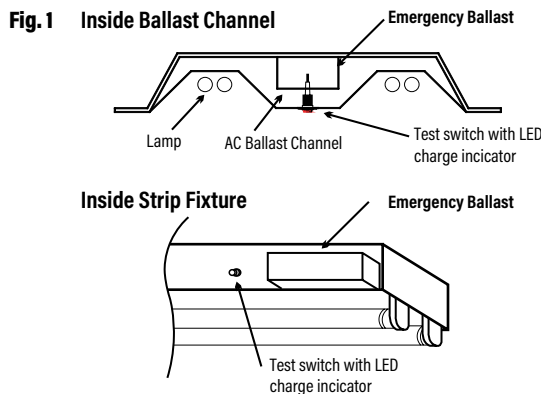


Contains Nickel-Cadmium Rechargeable Battery. Must be recycled or disposed properly.

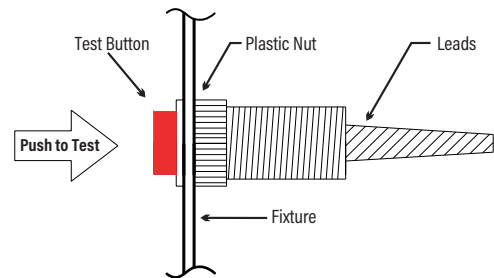
**CAUTION: To prevent electrical shock, disconnect the AC power by turning off the circuit breaker and battery connector must be open. Join battery connector after installation and after AC power is turned on.**

### INSTALLING THE EMERGENCY BALLAST

1. Install the emergency ballast in the AC ballast channel or enclosed wireway so the wire leads are not exposed at least 1/2" away from the AC ballast(s). Refer to (Fig. 1) for typical mounting.
2. Make all electrical connections in accordance with local code and National Electrical Code.
3. Install the test switch and the light indicator in the strip fixture (Fig. 2).
4. Install the test switch and the light indicator in the recessed troffer fixture (Fig. 3).

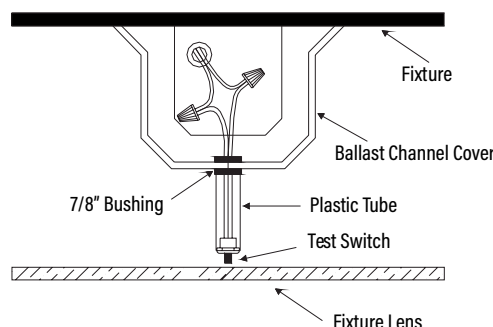


**Fig. 2 Installing the Test Switch with LED Charge Indicator**



Drill a 5/8" hole and install Test Switch on the appropriate location on the fixture

**Fig. 3 Recessed Troffer Fixture**



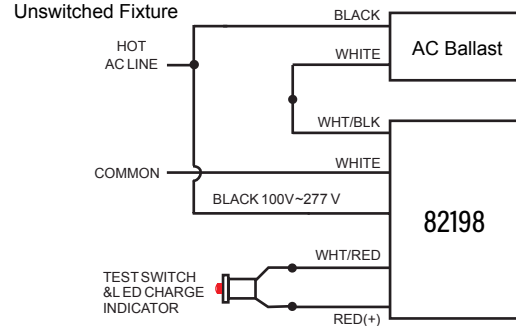
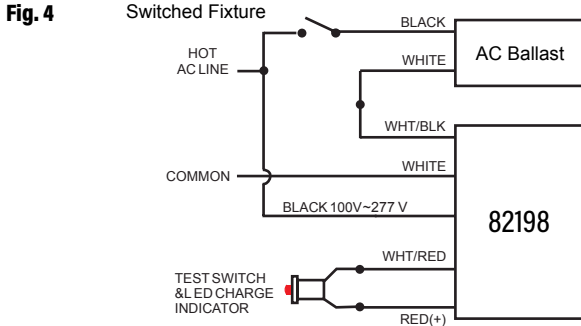
# 82198 • FLUORESCENT EMERGENCY BACKUP

## INSTALL INSTRUCTIONS



### WIRING THE EMERGENCY BALLAST

1. Refer to the wiring diagrams below for the proper wiring.
2. Emergency ballast and AC ballast must be on the same branch circuit.
3. Emergency ballast requires an unswitched AC power source (100 or 277 VAC).
4. When emergency ballast is used with switched fixture, an additional unswitched hot (100 or 277 VAC) wire must be run to junction box and connected to the emergency ballast. (Refer to Fig. 4).
5. After installation is completed, supply AC power to emergency ballast and join the battery connector.



### MOUNTING THE TEST SWITCH AND CHARGE INDICATOR LIGHT

Select appropriate location on the side of the fixture so that Test Switch can be seen after installation. Allow for proper clearance and drill or punch 5/8" hole. Remove the plastic nut and push the Test Switch into the 5/8" hole. Secure the Test Switch with plastic nut. (Refer to Fig. 2 on first page) Connect the wires as indicated in wiring diagrams below and on Page 3.

### LABELS

Attach the appropriate label to the Test Switch Plate and attach Re-lamping Label for lamp type and wattage to fixture. The Caution and Re-lamping label must be on the fixture in a readily visible location to anyone attempting to service the fixture.

### COMPLETE INSTALLATION

When the Installation is complete, supply AC power to emergency ballast and join the battery connector. Do not push Test Switch until join the battery connector.

### OPERATION

When AC power is applied, the charging indicator light is illuminated, indicating battery is being charged. When power fails, the emergency ballast automatically switches to emergency power (internal battery), operating one lamps at reduced illumination for a minimum of 90 minutes.

### MAINTENANCE

This emergency ballast has test switch and charge indicator. Press test switch to test emergency operation. Allow minimum 24 hours battery charging before conducting a one hour test. Recommended periodical test schedule is as follows:

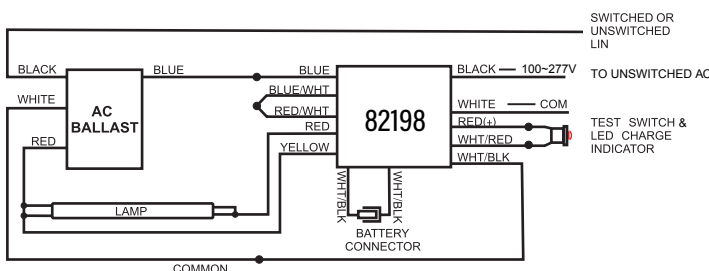
1. Visually inspect the charging indicator light monthly. It should be illuminated.
2. Test the emergency operation of fixture for 30 seconds at 30 day intervals. One lamp should be operated at reduced illumination.
3. Conduct 90 min. battery discharge test once a year.

### EMERGENCY BALLAST AND AC BALLAST MUST BE FED FROM THE SAME BRANCH CIRCUIT

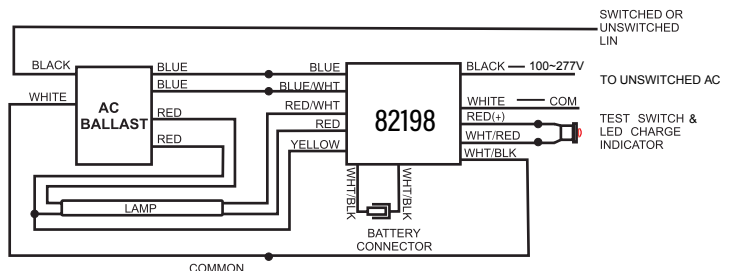
TYPICAL SCHEMATICS ONLY. MAY BE USED WITH OTHER BALLASTS. CONSULT THE FACTORY FOR OTHER WIRING DIAGRAMS.

### WIRING DIAGRAMS for 1-LAMP Emergency Operation

#### ONE (1) LAMP INSTANT START BALLAST



#### ONE (1) LAMP RAPID START BALLAST



# 82198 • FLUORESCENT EMERGENCY BACKUP

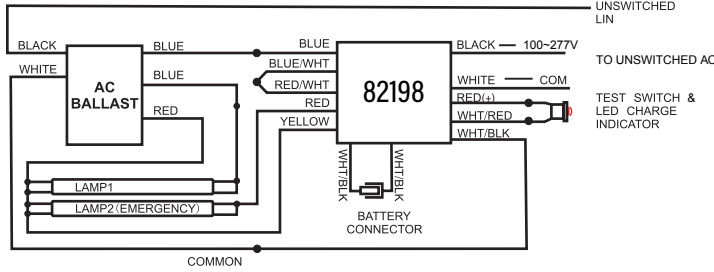
## INSTALL INSTRUCTIONS



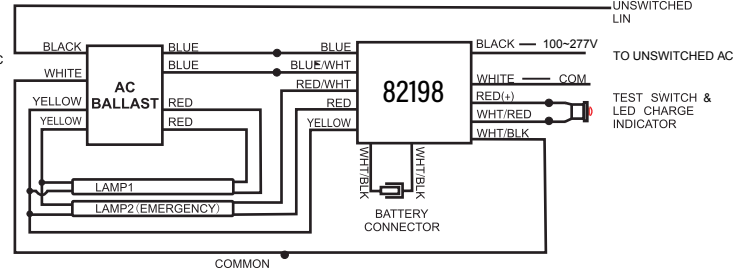
**EMERGENCY BALLAST AND AC BALLAST MUST BE FED FROM THE SAME BRANCH CIRCUIT**  
 TYPICAL SCHEMATICS ONLY. MAY BE USED WITH THEIR BALLASTS. CONSULT THE FACTORY FOR OTHER WIRING DIAGRAMS.

### WIRING DIAGRAMS for 1-LAMP Emergency Operation

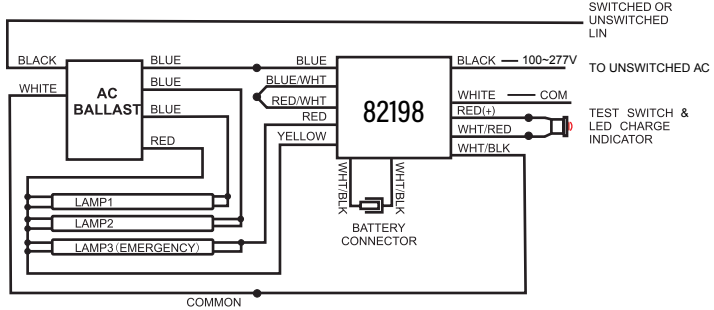
#### TWO (2) LAMP INSTANT START BALLAST



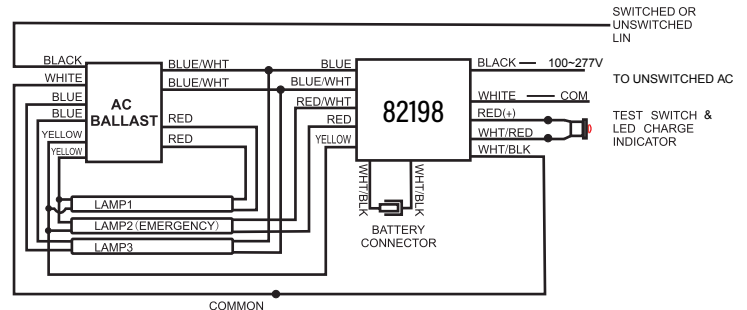
#### TWO (2) LAMP RAPID START BALLAST



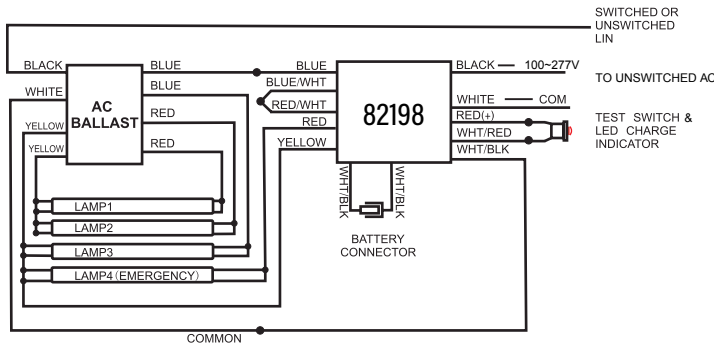
#### THREE (3) LAMP INSTANT START BALLAST



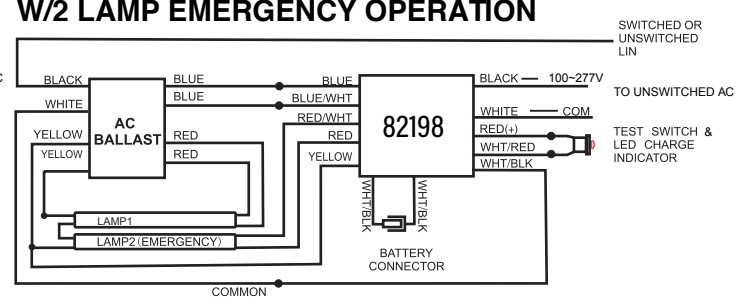
#### THREE (3) LAMP RAPID START BALLAST



#### FOUR (4) LAMP INSTANT START BALLAST



#### TWO (2) LAMP RAPID START BALLAST W/2 LAMP EMERGENCY OPERATION



#### TWO (2) LAMP INSTANT START BALLAST

