

# LED EMERGENCY FIXED LIGHT

## INSTALL INSTRUCTIONS



**Please read the instructions before you install and use the emergency light.**

**GENERAL:** ALL ELECTRICAL CONNECTIONS MUST BE IN ACCORDANCE WITH LOCAL AND NATIONAL ELECTRICAL CODE (N.E.C.) STANDARDS. IF YOU ARE UNFAMILIAR WITH PROPER ELECTRICAL WIRING CONNECTIONS OBTAIN THE SERVICES OF A QUALIFIED ELECTRICIAN. REMOVE THE TRIM FROM THE BOX AND MAKE SURE THAT NO PARTS ARE MISSING.

- Suitable for indoor damp locations.
- Allow battery to charge for 24 hours before first use.

### **WARNING AND CAUTIONS**

- Risk of fire or electric shock. If not qualified, do not attempt installation. Contact a qualified electrician.
- Disconnect power or circuit breaker before installing or servicing.
- Do not make or alter any open holes in an enclosure of wiring or electrical components during installation
- To prevent wiring damage or abrasion, do not expose wiring to hot surfaces, edges of sheet metal or other sharp objects
- Do not use outdoors, do not mount in hazardous locations, or near gas or electric heaters.
- Use caution when servicing batteries. Battery acid can cause burns to skin and eyes. IF acid is spilled on skin or in eyes, flush acid with fresh water and contact a physician immediately.
- Equipment should be mounted in locations and at heights where it will not be subjected to tampering by unauthorized personal. All servicing should be performed by a qualified personnel only.
- The use of accessory equipment is not recommended by the manufacturer, this may cause an unsafe operating conditions.
- Do not use this equipment for other than intended use.

### **IMPORTANT: MAINTENANCE INSTRUCTIONS**

None required. Replace the batteries as needed according to ambient conditions. However, we recommend that the equipment be tested regularly in accordance with local codes.

### **IMPORTANT: OPERATION**

- Press the test button.
- The LED heads will turn on and the LED indicator will turn off.
- Release the test switch, the LED indicator will turn back on and the LED heads will turn off.

### **IMPORTANT: TROUBLESHOOTING GUIDE**

If the LED heads or LED indicator do not illuminate check the following:

1. Check AC supply - verify that the unit has 24 hours of AC supply.
2. Check if the unit is shorted or battery is not connected.
3. Battery discharge. Permit unit to charge for 24 hours then re-test.
4. If above trouble shooting tips do not solve the problem, please contact customer support.

**PLEASE SAVE THESE INSTRUCTIONS**

# LED EMERGENCY FIXED LIGHT

## INSTALL INSTRUCTIONS



**WARNING** DISCONNECT POWER BEFORE INSTALLING OR SERVICING.

### Wall Mount - Back Power Feed (Fig. 2)

1. Use flat blade screwdriver, insert into the two slots and pry off front cover from back plate. (Fig. 1)
2. Remove appropriate knockout in back plate and mount back plate to J-box.
3. Knockout in center of back plate and feed wires through holes.
4. Secure back plate to J-box.
5. Connect the fixture wires to the power supply wires using the wire nuts provided. Connect the white wire to neutral. If using 120V, connect the black wire to the hot lead. If using 277V, connect the orange wire to the hot lead. Cap the unused lead wire. Press the wires into the J-box. (Refer to wiring diagram below).
6. Plug battery male connector into battery female connector on PCBA. (Fig. 5)
7. Snap the front cover on the back plate.
8. Restore power and press test button. LED heads will turn on.

### Wall Mount - Top Power Feed (Fig. 3)

1. Open front cover and remove top knockout on the top flange of fixture.
2. Secure conduit (or surface raceway) to knockout and feed wires.
3. Remove appropriate knockout on back plate and mount to wall.
4. Refer to steps 5-8 above in Wall Mount (Back Power Feed).

### Ceiling Mount - Back Power Feed (Fig. 4)

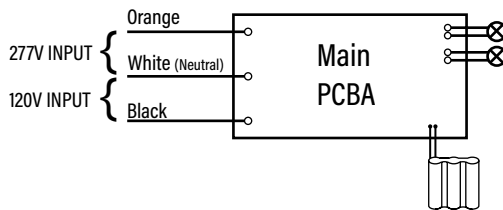
Refer to above Wall Mount (Back Power Feed) instructions. The differences:

1. Mount back plate on the ceiling surface instead of wall surface.
2. Feed building AC supply wire through the back plate then connect to the fixture power supply wires using wire nuts provided.

### Mounting Height

Max. mounting height: 10 Ft.

#### WIRING DIAGRAM



USE FLEXIBLE CONDUIT ONLY

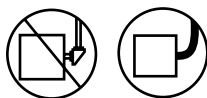


FIG. 1

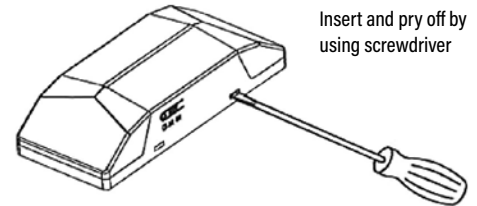


FIG. 2

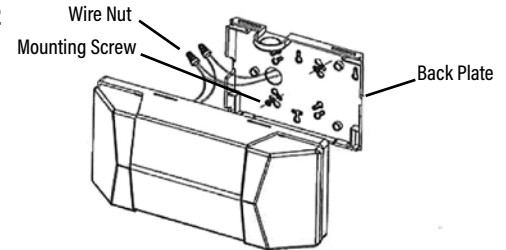


FIG. 3

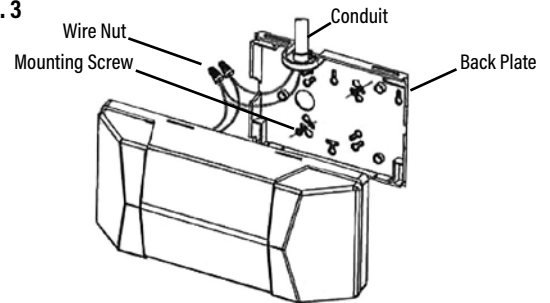


FIG. 4

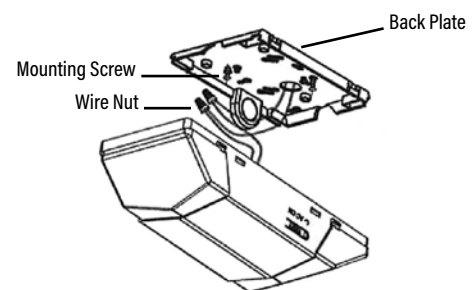


FIG. 5 LED PCBA

