

LED EMERGENCY EXIT LIGHT - #82355 / 82356

INSTALL INSTRUCTIONS



PLEASE FIND A QUALIFIED ELECTRICIAN FOR INSTALLATION. Please read the instructions before you install and use the emergency light.

GENERAL: ALL ELECTRICAL CONNECTIONS MUST BE IN ACCORDANCE WITH LOCAL AND NATIONAL ELECTRICAL CODE (N.E.C.) STANDARDS. IF YOU ARE UNFAMILIAR WITH PROPER ELECTRICAL WIRING CONNECTIONS OBTAIN THE SERVICES OF A QUALIFIED ELECTRICIAN.

WARNINGS, CAUTIONS AND OPERATING INSTRUCTIONS

When using electrical equipment, basic safety precautions should always be followed, including:

- Make all electrical connections in accordance with local codes, ordinances, and the National Electric Code.
- This product is for indoor use only.
- Do not mount this product near a gas or electric heater.
- Use caution when servicing batteries. Battery acid can cause burns to skin and eyes. If acid is spilled on skin or eyes, flush acid with fresh water and contact a physician immediately.
- This product should be mounted in a location and at a height where it will not be readily subjected to tampering by unauthorized personnel.
- The use of accessories is not recommended by the manufacturer, and may cause unsafe conditions.
- Do not use this product for anything other than its intended use.
- Changes or modifications to this unit not expressly approved by the party responsible for compliance could void the user's authority to operate the equipment.
- This device complies with part 15 of the FCC rules. Operation is subject to the following two conditions: (1) This device may not cause harmful interference, and (2) this device must accept any interference received, including interference that may cause undesired operation.
- All service shall be performed by qualified service personnel. This product must be installed and maintained in accordance with the applicable installation codes by a person familiar with the construction operation of the product and the hazards involved.
- Suitable for damp locations.
- Suitable for use in 32°F to 104°F (0°C to 40°C) ambient temperature.

! WARNING DISCONNECT POWER BEFORE INSTALLING OR SERVICING.

IMPORTANT: When constructing or remodeling and prior to installing, be sure to check with the local fire marshal or code enforcement office to ensure the correct guidelines for your municipality are being followed.

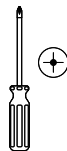
TOOLS REQUIRED:



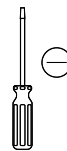
Safety Glasses



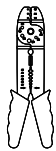
Ladder



Philips Screwdriver



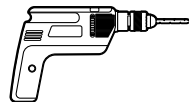
Flat Screwdriver



Wire Strippers



Wire Cutters



Drill



3/16" Drill Bit

HARDWARE INCLUDED:

PART	DESCRIPTION	QUANTITY
	Canopy Screw	2
	Mounting Screw	2
	Wall Anchor	2
	Wire Nut	3

Before beginning assembly, installation, or operation of the product, make sure all parts are present. Compare parts with the package contents list. If any part is missing or damaged, do not attempt to assemble, install, or operate the product. Contact customer service.

SAVE THESE INSTRUCTIONS

LED EMERGENCY EXIT LIGHT - #82355 / 82356

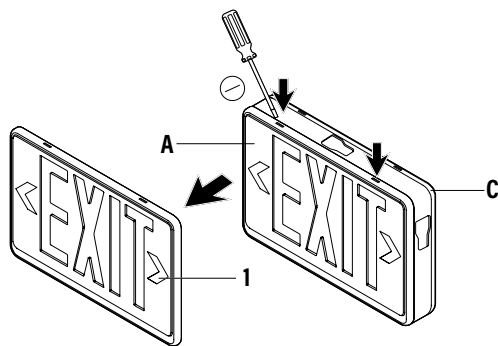
INSTALL INSTRUCTIONS

PQL
PREMIUM QUALITY LIGHTING®

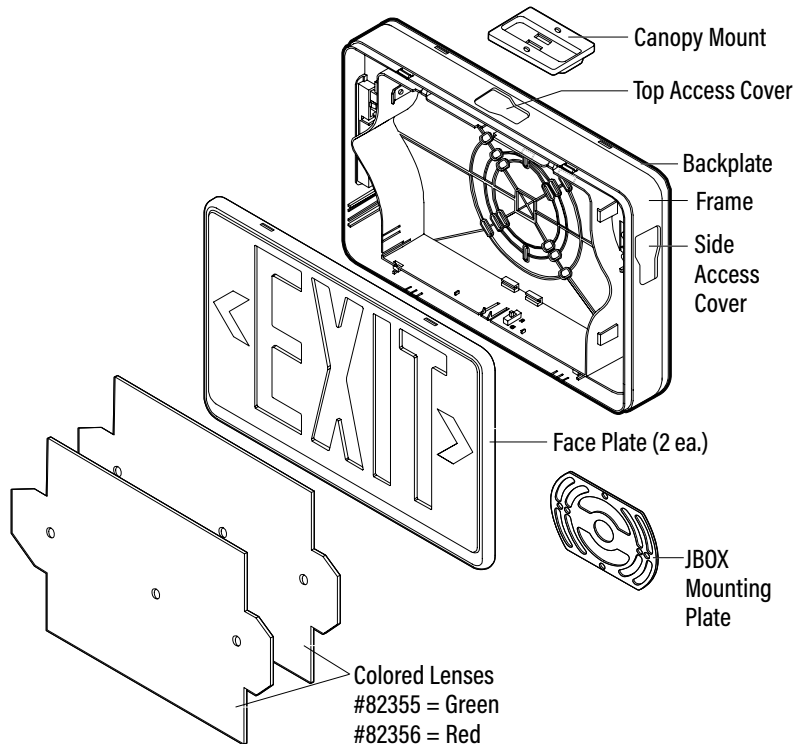
⚠ WARNING DISCONNECT POWER BEFORE INSTALLING OR SERVICING.

STEP 1 - PREP THE FIXTURE

1. Carefully remove the faceplate (A) using a small flat screwdriver.
2. Remove the necessary arrow(s) (1) to indicate the direction of egress.
3. For double-sided applications, remove the backplate (C) by unhooking tab-locks inside fixture, and then using a small flat screw driver like in step 1, and replace it with the second faceplate (A). Double-sided applications can only be used with a ceiling or end mount.
4. Plug in the back-up battery by connecting the battery lead to the PCB board in the lower corner.



FIXTURE DIAGRAM

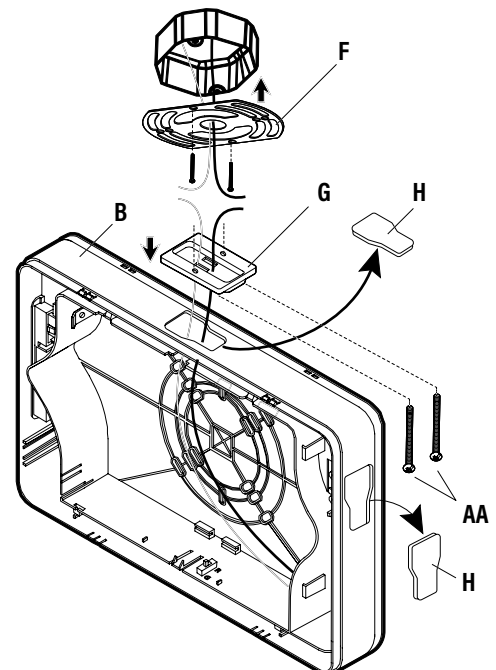


STEP 2 - INSTALLATION

CEILING (OR END MOUNT) INSTALLATION (FIG. 1)

1. Remove the top/side mount access covers (H) by pushing up and out from underneath.
2. Pull the power supply wires from the junction box through the center hole of the JBOX mounting plate (F). Attach the JBOX mounting plate (F) to the junction box using the junction box screws (not included).
3. Feed the fixture wires through the appropriate top or side mounting hole and through the canopy mount center hole.
4. Insert the canopy mount into the mounting hole on the exit sign frame (B) and lock it into place by rotating the canopy 90° and sliding, into the locking flange frame, until it locks into place.
5. Connect the wiring. Refer to "Step 3 - General Wiring". Feed the wire nuts back through the center hole of the JBOX mounting plate (F) into the junction box.
6. Thread the canopy screws (AA) through the screw holes in the canopy (G) and attach the canopy to the JBOX mounting plate (F).

FIG. 1



LED EMERGENCY EXIT LIGHT - #82355 / 82356

INSTALL INSTRUCTIONS

PQL
PREMIUM QUALITY LIGHTING®

WARNING DISCONNECT POWER BEFORE INSTALLING OR SERVICING.

WALL MOUNT INSTALLATION (FIG. 2)

1. Drill or punch out the appropriate mounting pattern and wire hole on the backplate (C) to fit the junction box. Feed the wires through the center wire hole.
2. Connect the wiring. Refer to "Step 3 - General Wiring".
3. Secure the frame (B) to the junction box using junction box screws. (Not included).

INSTALLING THE EXIT LIGHT WITH CONDUIT (FIG. 3)

WARNING: This product must be installed in accordance with the applicable building codes, electric codes and ordinances. Be sure to comply with your local and state regulations. It is recommended that this product be installed by a licensed electrician or by qualified service personnel.

1. Route the conduit power supply wires through the rear of the backplate (C) and make the appropriate conduit connection.
2. Connect the wiring. Refer to "Step 3 - General Wiring".
3. Using the backplate (C) as a template, mark and drill two installation holes on the wall at the desired installation location.
4. Insert wall anchors (CC) into the holes.
5. Attach the backplate (C) to the wall by inserting screws (DD) through the backplate (C) and into the wall anchors (CC).

FIG. 2

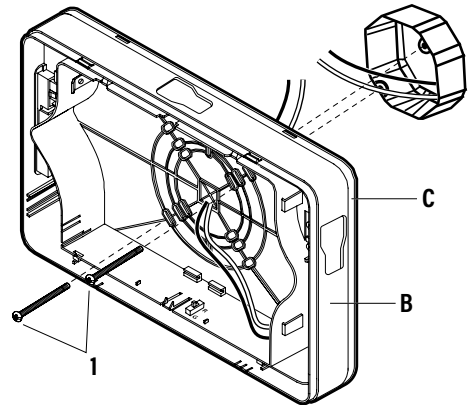
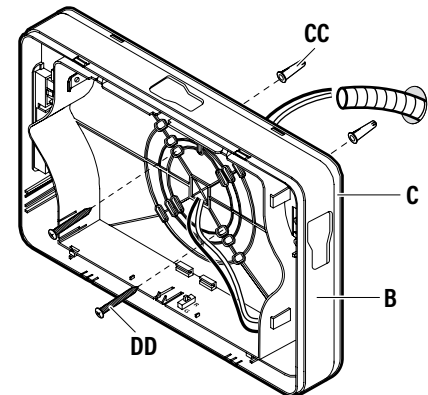


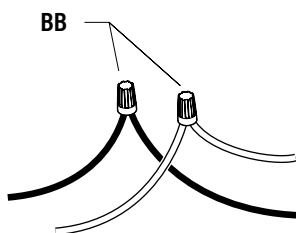
FIG. 3



STEP 3 - GENERAL WIRING (FIG. 4)

1. Make wire connections using the wire nuts (BB).
2. For 120V applications, use the black and white wires. Connect the black supply HOT wire to the black fixture wire. Connect the NEUTRAL supply wire to the white fixture wire.
3. For 277V applications, use the red and white wires. Connect the red supply HOT wire to the red fixture wire. Connect the NEUTRAL supply wire to the white fixture wire.
4. Cap the unused wire using a wire nut (BB).

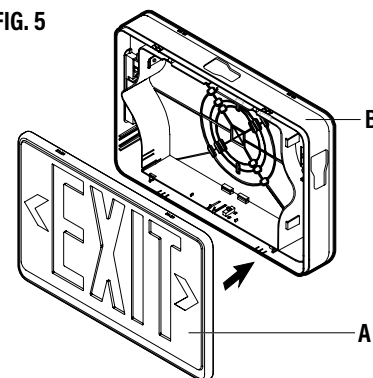
FIG. 4



STEP 4 - COMPLETE INSTALLATION (FIG. 5)

1. Snap the faceplate(s) (A) onto the frame (B).
2. Restore power to the circuit.
3. Allow 24 hours to fully charge the back-up battery before testing.

FIG. 5



LED EMERGENCY EXIT LIGHT - #82355 / 82356

INSTALL INSTRUCTIONS

⚠ WARNING DISCONNECT POWER BEFORE INSTALLING OR SERVICING.

MAINTENANCE (FIG. 6)

NOTE: National Electric Code (NEC) and NFPA life safety code regulations require that routine tests need to be performed.

TEST OPERATION

With AC Power applied to the unit, the EXIT sign and A/C Power LED indicator should illuminate. When pushing the TEST button under the fixture, the LED indicator should turn off, the EXIT sign will remain illuminated.

TEST THE BATTERY

Test the unit's battery once per month. Additionally, every 12 months, a full 90-minute test should be performed. While disconnected from the main power supply, the EXIT sign should illuminate for a minimum of 90 minutes on battery back up power.

BATTERY REPLACEMENT (FIG. 7)

This fixture uses a Ni-Cd Rechargeable AA700 mAh 1.2V battery.

To remove the battery:

1. Bend the battery catches away from the battery and remove the battery from the housing.
2. Disconnect the battery leads from the board terminal.
3. Connect the new battery to the board terminal.
4. Place the new battery in the battery location and ensure it is seated behind the battery catches.

FIG. 6

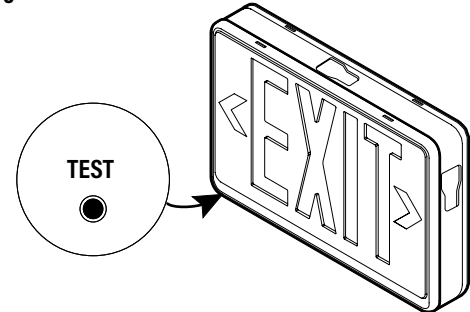
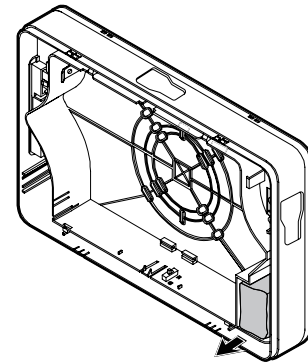


FIG. 7



TROUBLESHOOTING

Problem	Possible Cause	Solution
The LED charge indicator does not illuminate.	AC power supply is off.	Ensure the unit has AC power supply. Restore the power at the breaker/fuse box.
	The unit is incorrectly wired.	Ensure the unit is wired correctly.
	The battery isn't connected.	Ensure the battery is connected.

If the above troubleshooting does not resolve the issue, contact a qualified electrician, or call customer service at 1-800-323-8107.

SAVE THESE INSTRUCTIONS