



Item#: **83085**
LED CANOPY
 PARKING GARAGE LUMINAIRES

FEATURES

- Ultra-thin design.
- Replaces 100-175W MH.

HOUSING

- One piece sealed die cast housing.
- UV stabilized polycarbonate optical lens.

MOUNTING

- Surface Mount with J-Box.
- Pendant with 3/4" conduit.

APPLICATION

Parking structures and storage areas.

ELECTRICAL

Wattage	27W
Voltage	120-277V
Current	--
Power Factor	0.9
Total Harmonic Distortion (THD)	--

LIGHTING PERFORMANCE

Lumens	3510
Lumens Per Watt (Lm/W)	130
Color Temperature (CCT)	4000K
Color Rendering (CRI)	80
R9 (Red Value)	--
R13 (Skin Tones)	--
Beam Angle	100° x 60°
Light Distribution	Type VS
Dimmable Lighting Control	<i>Dimmable</i> 0-10V, Range 10% - 100%

ENVIRONMENT

Operating Temperature	-40° ~ 104°F
Suitable Location	WET
Ingress Protection Rating	IP65

LIFESPAN

Average Life (Hours)	50,000
Warranty (Years)	5

COMPONENTS

LED Light Source	Seoul 3528
Driver	--

CONSTRUCTION

Housing	Aluminum
Lens	PC / Frosted
Base / Power Supply	Hard Wired
Finish	Black

QUALIFICATIONS

Published lumens on LED products are approximate and may vary slightly.

PERFORMANCE DATA

PACKAGING

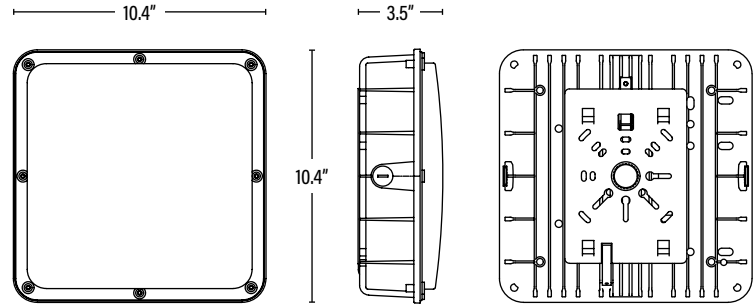
Item#: **83085**
LED CANOPY



DIMENSIONS (Inches)

Length	10.4"
Width/Diameter	10.4"
Height	3.5"
Weight (Lbs)	1.8

Line drawings may not be to scale and are for general reference only.



SUPPORTING DOCUMENTS (Grey = not available at this time.)

Product Sheet	VIEW
Install Instructions	VIEW
IES Download from Web Item	VIEW
LM79	VIEW
LM80	VIEW

PACKAGING

		UPC	DIMENSIONS (LxWxH)	GROSS WEIGHT (Lbs)
Master Carton	4	--	19.3" x 19.3" x 12.2"	7.3
Individual Box	1	--	--	--
Country of Origin	China			
HS Tariff	--			

ORDERING

ITEM#	DESCRIPTION	CASE
83085	LED CANOPY 27W/40K/120-277V/BLACK/DIMMABLE/V4 - SUPERIOR LIFE®	4

ACCESSORIES/REPLACEMENT PARTS

54888	BI-LEVEL AND DAYLIGHT HARVESTING MICROWAVE SENSOR 26' DIA/8-40' HEIGHT 120/277V - SUPERIOR LIFE®	100
-------	--	-----

ADDITIONAL INFORMATION:

Note: To prevent water damage which may shorten the life of an exterior mounted fixture; the fixture should be properly weather sealed according to the installation instructions or between the fixture base and mounting surface. Damage due to improper installation may void the warranty.

PERFORMANCE DATA

PACKAGING