



Item#: **83089**

## LED CANOPY

PARKING GARAGE LUMINAIRES

### FEATURES

- Ultra-thin design.
- Replaces 250-400W MH

### HOUSING

- One piece sealed die cast housing.
- UV stabilized polycarbonate optical lens.

### MOUNTING

- Surface Mount with J-Box.
- Pendant with 3/4" conduit.

### APPLICATION

Parking structures and storage areas.

PERFORMANCE DATA

### ELECTRICAL

|                                 |          |
|---------------------------------|----------|
| Wattage                         | 60W      |
| Voltage                         | 120-277V |
| Power Factor                    | 0.9      |
| Total Harmonic Distortion (THD) | 20       |

### LIGHTING PERFORMANCE

|  |  |
|--|--|
| Lumens                                     | 6720                                       |
| Lumens Per Watt (Lm/W)                     | 112  |
| Color Temperature (CCT)                    | 4000K                                      |
| Color Rendering (CRI)                      | 80   |
| R9 (Red Value)                             | 24   |
| R13 (Skin Tones)                           | 87   |
| Beam Angle                                 | 100° x 60°                                 |
| Light Distribution                         | Type VS                                    |
| BUG Rating (Backlight, Uplight, and Glare) | B2 - U3 - G1                               |
| Dimmable Lighting Control                  | <i>Dimmable</i><br>0-10V, Range 10% - 100% |

### ENVIRONMENT

|                           |              |
|---------------------------|--------------|
| Operating Temperature     | -40° ~ 104°F |
| Suitable Location         | <b>WET</b>   |
| Ingress Protection Rating | IP65         |

### LIFESPAN

|                      |          |
|----------------------|----------|
| Average Life (Hours) | 50,000   |
| Warranty (Years)     | <b>5</b> |

### COMPONENTS

|                  |             |
|------------------|-------------|
| LED Light Source | Seoul 3528  |
| Driver           | WP-HLA-060U |

### CONSTRUCTION

|                     |              |
|---------------------|--------------|
| Housing             | Aluminum     |
| Lens                | PC / Frosted |
| Base / Power Supply | Hard Wired   |
| Finish              | Black        |

### QUALIFICATIONS



Visit [www.designlights.org/search](http://www.designlights.org/search) to confirm qualification. • Published lumens on LED products are approximate and may vary slightly. • Specifications are subject to change without notice.

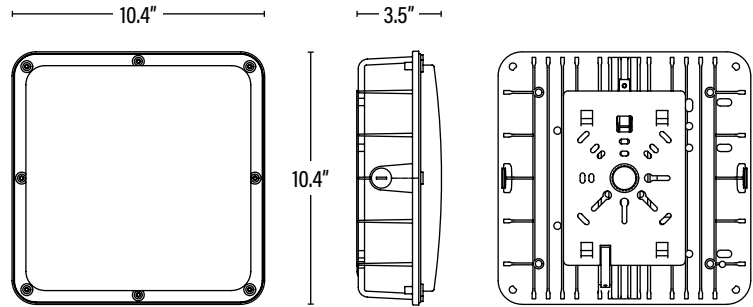
Item#: **83089**  
**LED CANOPY**



ITEM INFORMATION

**DIMENSIONS** (Inches)

|                  |       |
|------------------|-------|
| Length           | 10.4" |
| Width/Diameter   | 10.4" |
| Height           | 3.5"  |
| Net Weight (Lbs) | --    |



**SUPPORTING DOCUMENTS** (Grey = not available at this time.)

|                            |      |
|----------------------------|------|
| Product Sheet              | VIEW |
| Install Instructions       | VIEW |
| IES Download from Web Item | VIEW |
| LM79                       | VIEW |
| LM80                       | VIEW |

**PACKAGING**

|                   |              | UPC            | DIMENSIONS (LxWxH)    | GROSS WEIGHT (Lbs) |
|-------------------|--------------|----------------|-----------------------|--------------------|
| Master Carton     | 4            | 10811768022916 | 19.3" x 19.3" x 12.2" | 7.9                |
| Individual Box    | 1            | 811768022919   | --                    | 2                  |
| Country of Origin | China        |                |                       |                    |
| HS Tariff         | 9405.10.6020 |                |                       |                    |

**ORDERING**

| ITEM# | DESCRIPTION   | CASE |
|-------|---|------|
| 83089 | LED CANOPY 60W/40K/120-277V/BLACK/DIMMABLE/V4 - SUPERIOR LIFE® DLC® | 4    |

**ACCESSORIES**

|       |  |     |
|-------|--|-----|
| 54888 | 360° BI-LEVEL AND DAYLIGHT HARVESTING MICROWAVE SENSOR 26' DIA, 8-40' HEIGHT 800W/1200W - 120/277V - SL® | 100 |
|-------|--|-----|

**REPLACEMENT PARTS**

|             |                                     |   |
|-------------|-------------------------------------|---|
| WP-HLA-060U | REPLACEMENT 60W DIMMABLE LED DRIVER | 1 |
|-------------|-------------------------------------|---|

**ADDITIONAL INFORMATION:**

**Note:** To prevent water damage which may shorten the life of an exterior mounted fixture; the fixture should be properly weather sealed according to the installation instructions or between the fixture base and mounting surface. Damage due to improper installation may void the warranty.