



Item#: **83092-W**
LED CANOPY
FUEL PUMP CANOPY LUMINAIRES

FEATURES

- Ultra-thin design.
- Replaces 250-400W MH

HOUSING

- One piece sealed die cast housing.
- UV stabilized polycarbonate optical lens.

MOUNTING

- Surface Mount with J-Box.
- Pendant with 3/4" conduit.

APPLICATION

Parking structures and storage areas.

ELECTRICAL

| | |
|---------------------------------|----------|
| Wattage | 75W |
| Voltage | 120-277V |
| Power Factor | 0.9 |
| Total Harmonic Distortion (THD) | 20 |

LIGHTING PERFORMANCE

| | |
|--|--|
| Lumens | 8625 |
| Lumens Per Watt (LPW) | 115 |
| Color Temperature (CCT) | 5000K |
| Color Rendering (CRI) | 85 |
| R9 (Red Value) | 27 |
| R13 (Skin Tones) | 85 |
| Beam Angle | 100° x 60° |
| Light Distribution | Type VS |
| BUG Rating (Backlight, Uplight, and Glare) | B2 - U3 - G2 |
| Dimmable Lighting Control | <i>Dimmable</i> 0-10V, Range 10% - 100% |

ENVIRONMENT

| | |
|---------------------------|--------------|
| Operating Temperature | -40° ~ 104°F |
| Suitable Location | WET |
| Ingress Protection Rating | IP65 |

LIFESPAN

| | |
|----------------------|----------|
| Average Life (Hours) | 50,000 |
| Warranty (Years) | 5 |

COMPONENTS

| | |
|------------------|-------------|
| LED Light Source | Seoul 3528 |
| Driver | WP-HHA-075U |

CONSTRUCTION

| | |
|---------------------|--------------|
| Housing | Aluminum |
| Lens | PC / Frosted |
| Base / Power Supply | Hard Wired |
| Finish | White |

QUALIFICATIONS



Visit www.designlights.org/search to confirm qualification. - Published lumens on LED products are approximate and may vary slightly. - Specifications are subject to change without notice.

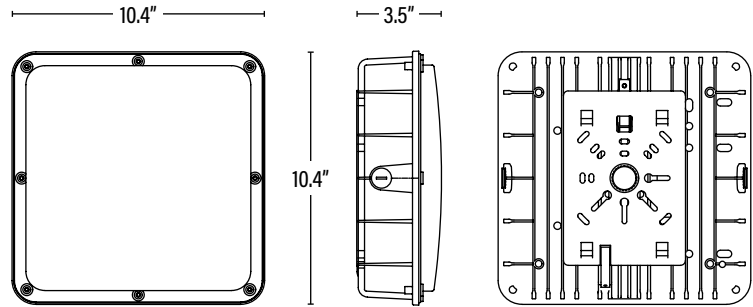
Item#: **83092-W**
LED CANOPY



ITEM INFORMATION

DIMENSIONS (Inches)

| | |
|------------------|-------|
| Length | 10.4" |
| Width/Diameter | 10.4" |
| Height | 3.5" |
| Net Weight (Lbs) | -- |



SUPPORTING DOCUMENTS (Grey = not available at this time.)

| | |
|----------------------------|------|
| Product Sheet | VIEW |
| Install Instructions | VIEW |
| IES Download from Web Item | VIEW |
| LM79 | VIEW |
| LM80 | VIEW |

PACKAGING

| | | UPC | DIMENSIONS (LxWxH) | GROSS WEIGHT (Lbs) |
|-------------------|--------------|----------------|-----------------------|--------------------|
| Master Carton | 4 | 10854432004221 | 19.3" x 19.3" x 12.2" | 8.6 |
| Individual Box | 1 | 854432004224 | 11.2" x 11.2" x 4.5" | 2.2 |
| Country of Origin | China | | | |
| HS Tariff | 9405.10.6020 | | | |

ORDERING

| ITEM# | DESCRIPTION | CASE |
|---------|---|------|
| 83092-W | LED CANOPY/75W/50K/DIMM/120-277V/WHT - DLC® | 4 |

ACCESSORIES

| | | |
|-------|--|-----|
| 54888 | 360° BI-LEVEL AND DAYLIGHT HARVESTING MICROWAVE SENSOR 26' DIA, 8-40' HEIGHT 800W/1200W • 120/277V | 100 |
|-------|--|-----|

REPLACEMENT PARTS

| | | |
|-------------|-------------------------------------|---|
| WP-HHA-075U | REPLACEMENT 75W DIMMABLE LED DRIVER | 1 |
|-------------|-------------------------------------|---|

ADDITIONAL INFORMATION:

Note: To prevent water damage which may shorten the life of an exterior mounted fixture; the fixture should be properly weather sealed according to the installation instructions or between the fixture base and mounting surface. Damage due to improper installation may void the warranty.