

**PLEASE FIND A QUALIFIED ELECTRICIAN FOR INSTALLATION.**

Please read the instruction before you install and use the luminaire.

83117 LED MINI WALL PACK 12W 120V 50/60HZ AC

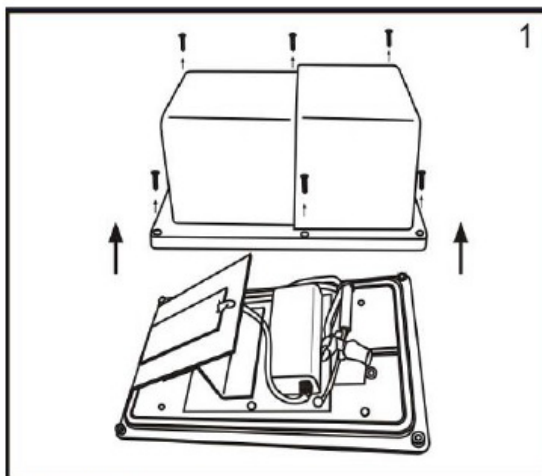
Suitable for indoor and outdoor, moisture proof and dustproof.

**IMPORTANT:** To weather-proof your outdoor installation, be sure to seal all mounting bracket with silicone sealant.

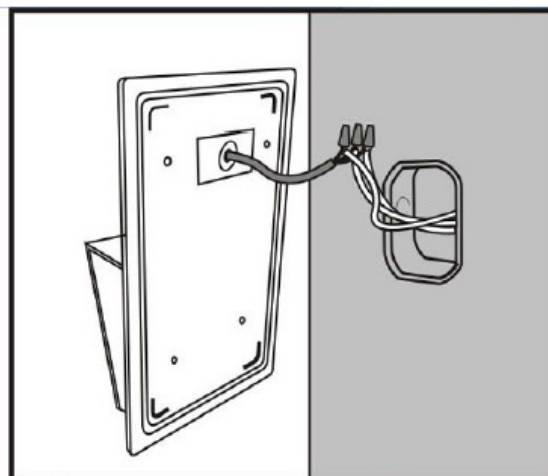
**USAGE**

1. Please check the box to see if there is damage or not before opening the box. Please check the attached technical documents such as brochures, factory certificate and check to see if there is damage of lamps.

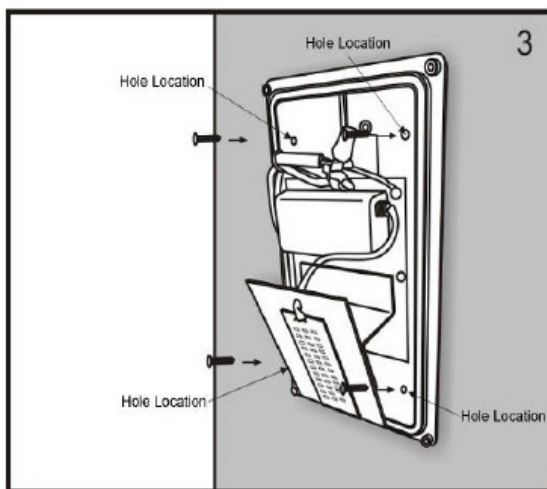
2. The lamp will be directly fixed on the mounting surface as shown below with the mounting hardware during installation.



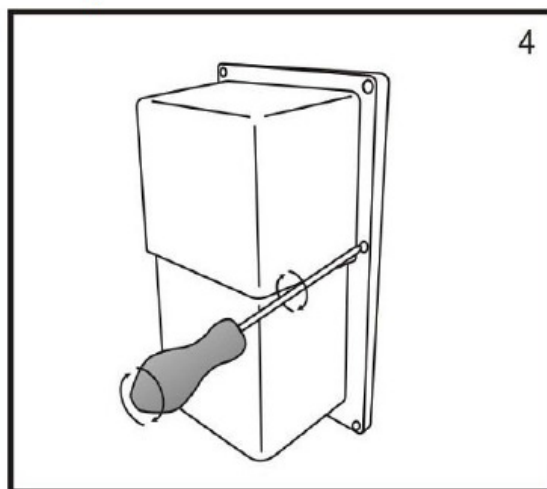
1. Take the fixture cover away.



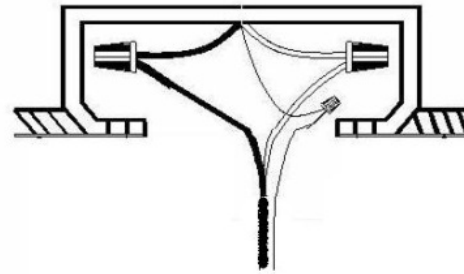
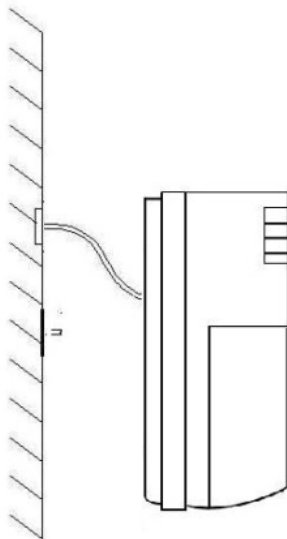
2. Take the fixture and connect the wires to the corresponding same color of wires (white, black, green) from the lamp to the wall. Please ensure all wires are correctly connected.



3. Use the provided screws to fix the main part of the fixture to the wall. If the screws holes are not open on the fixture, please use proper tool to get holes at the hole locations first.




4. Make sure the fixture is fixed steady and horizontal. Put the cover on with screws.



### 3. Wiring construction.

Wiring method: Wire the black line to the cable L (live wire), and white one to line N (null line), yellow-green one to G (ground) inside outlet box (figure above). After all the installation is finished and fine, power on the lamp and it will work.

 **WARNINGS**   
Disconnect power to sensor by turning OFF circuit breaker or removing the fuse for the circuit before installing, replacing lamps or doing any electrical work.

- The socket must be containing ground lead.
- Please confirm the power source is in compliance with the rating of the luminaire and make sure the luminaire had been mounting correctly.
- Make sure the luminaire had been mounting correctly before connect to the power source.
- If the luminaire can not work normally please turn to a professional maintenance worker to repair the fixture, do not open the luminaire arbitrarily.