

PLEASE FIND A QUALIFIED ELECTRICIAN FOR INSTALLATION.
Please read the instruction before you install and use the luminaire.

83152 LED MEDIUM WALL PACK 60W/55K/120-277V DLC

SPECIFICATIONS

ITEM#	WATTS	COLOR	LUMENS	CRI	VOLT	INPUT CURRENT
83152	60	5500K	4849	75	120-277V	0.4 - 0.14A

With smart design, the maximum weight is 18.95lbs (8.6KGS); Easy Installing, long lifespan, Maintenance-free of LED light source for all lifelong.

With high efficiency constant current output LED driver, with constant output current 0.7A

Suitable for upright wall lighting. Suitable for installation height above 1.2M

WARNING

Ensure power is off before starting installation, wiring or attempting any maintenance should be performed by a person familiar with the construction and operation of the product and hazards involved to ensure personal safety.

All work should be performed by a qualified electrician.

The mounting wall should be of sufficient strength; its endurance force must be greater than the fixture's weight.

INSTALLATION

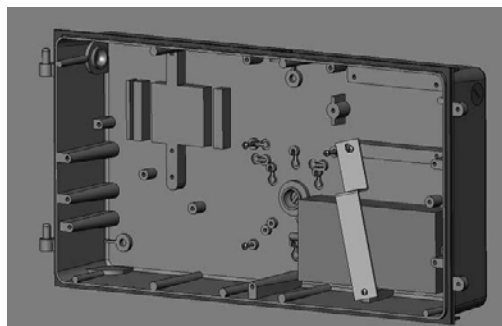
1. Twist off the screws on the cover, loosen the P2 nut, drill through the installation holes on the base housing(as shown in Fig.1).

2. Put the bottom housing to the position for installation, mark the position hole, maintain less than 90 degrees for the hole direction to the wall(as shown in Fig4-1, Fig4-2).Put a rubber pad between wall and bottom housing, fit with a plastic stopper, and then screw on the self-tapping screws of M4 * 20.

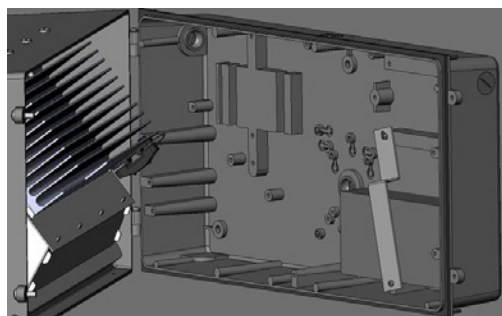
3. After installation of bottom housing, connect top housing to bottom housing with the hinge.

4. Connection of Electrical Components: **1.** To connect the outlet side of the power "+" - "poles (red for positive, black for negative) and the outlet side of the PCB "+" - "poles" with P2 terminal. **2.** The main power cord could be drawn from any hole of 4 faucet holes on the bottom, to be connected with "L""N" power lines. **3.** To connect housing ground wire, frame ground wire, the power supply ground wire and the main ground wire with P3 terminal.

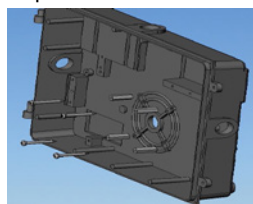
5. Tighten the screws on frame housing, the installation is completed.



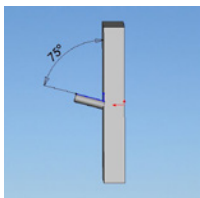
Dia. 1:
Drill through the holes on the housing and secure the base onto the wall



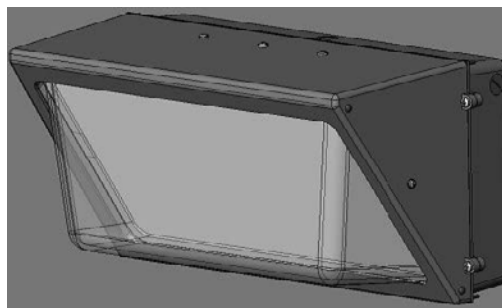
Dia. 2:
Rotate the frame to make frame hole together with bottom housing hole



Dia. 4-1:
Make sure there is an angle with plug and wall in case of falling off that can bear more weight.



Dia. 4-2



Dia. 3:
Tighten screws on surface