

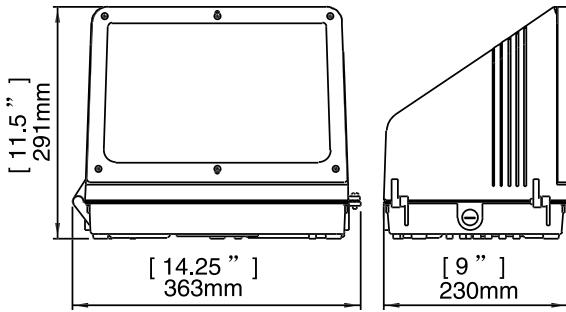


PREMIUM QUALITY LIGHTING

83154

LED MEDIUM CUT-OFF WALL PACK

INSTALL INSTRUCTIONS



PLEASE FIND A QUALIFIED ELECTRICIAN FOR INSTALLATION.
Please read the instruction before you install and use the luminaire.

83154 LED MEDIUM CUT-OFF WALL PACK 40W/50K/120-277V DLC

SPECIFICATIONS

ITEM#	WATTS	COLOR	LUMENS	CRI	VOLT	INPUT CURRENT
83154	40	5000K	3210	75	120-277V	0.6 - 0.22A

With smart design, the maximum weight is 14.3lbs (6.5KGS); Easy Installing, long lifespan, Maintenance-free of LED light source for all lifelong.

With high efficiency constant current output LED driver, with constant output current 0.7A

Suitable for upright wall lighting. Suitable for installation height above 1.2M

WARNING

Ensure power is off before starting installation, wiring or attempting any maintenance should be performed by a person familiar with the construction and operation of the product and hazards involved to ensure personal safety.

All work should be performed by a qualified electrician.

The mounting wall should be of sufficient strength; its endurance force must be greater than the fixture's weight.

INSTALLATION

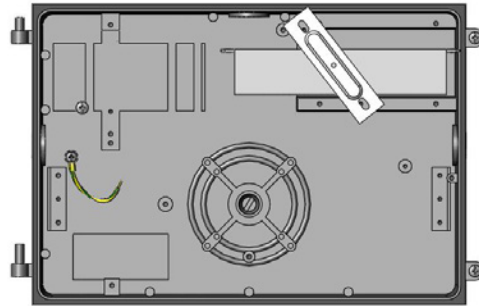
1. Twist off the screws on the cover, Loosen the P2 nut, drill through the install holes on the base housing(As shown in Dia.1)

2. Put the housing to where we need to fix the fixture, mark the position of the install holes on the wall, drill the holes for anchoring on the wall, the orientation of the hole and the wall should be less than 90 degree(As shown in Dia.4-1). Put an silicon gasket between the base and the wall, fit on the plastic lid, twist on the M4*20 self tapped screws.

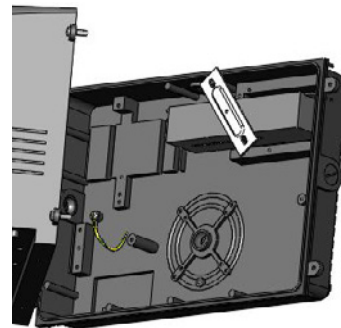
3. Match the cover to the base after the base is fixed to the wall, connect the base and cover with hinge.

4. Connection of Electrical Components: **1.** The two electrical poles '+' '-' of the power cord output terminal(the red is positive pole, the black is negative pole) connected with the two poles of the Aluminum plate by means of P2 screws. **2.** We can bring in the Electric Supply from the 4 plug cock in the housing according to the requirement of installation. Connect with the "L""N" wire of the power line. **3.** Connect the ground wires on the housing and on the cover and in the power supply and Electric supply these four wires with a P3 nut.

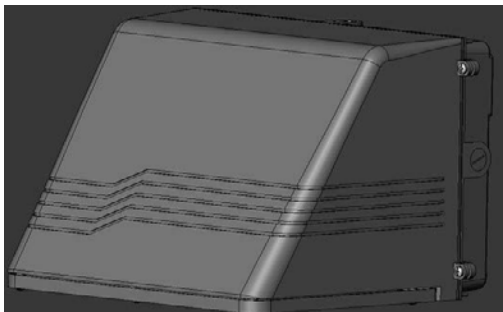
5. Tighten up the cover with the base by means of the screws.



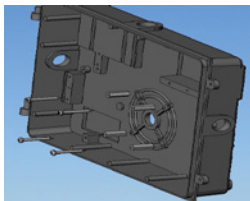
Dia. 1: Drill through the holes on the housing; Secure the base onto the wall



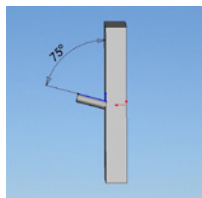
Dia. 2: Turn over the Cover; Let the cover fit the base



Dia. 3: Lock the screws tightly



Dia. 4-1: Make sure there is an angle with plug and wall in case of falling off that can bear more weight.



Dia. 4-2