

PLEASE FIND A QUALIFIED ELECTRICIAN FOR INSTALLATION.
Please read the instruction before you install and use the luminaire.

83160 LED ROUND CANOPY LIGHT 60W/55K/120-277V

SPECIFICATIONS

ITEM#	WATTS	COLOR	LUMENS	CRI	VOLT	INPUT CURRENT
83160	60	5500K	4695	75	120-277V	0.6 - 0.22A

With smart design, the maximum weight is 12.3lbs (5.6KGS); Easy Installing, long lifespan, Maintenance-free of LED light source for all lifelong.

With high efficiency constant current output LED driver, with constant output current 0.7A

Suitable for upright wall lighting. Suitable for installation height above 2.5M

WARNING

Ensure power is off before starting installation, wiring or attempting any maintenance should be performed by a person familiar with the construction and operation of the product and hazards involved to ensure personal safety.

All work should be performed by a qualified electrician.

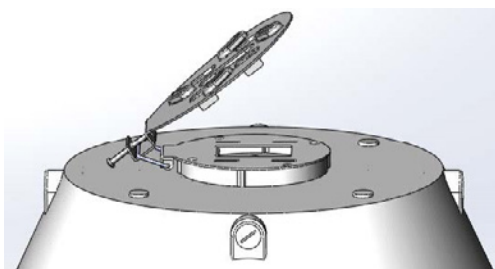
The mounting wall should be of sufficient strength; its endurance force must be greater than the fixture's weight.

INSTALLATION

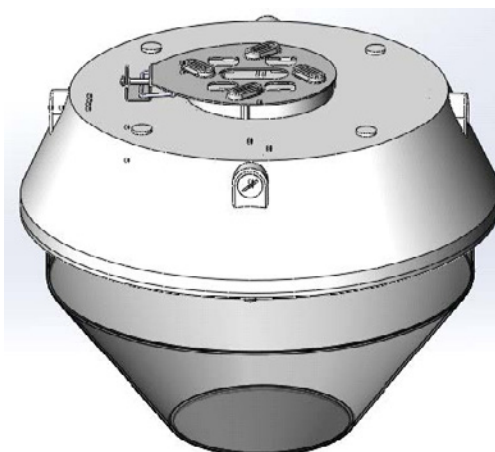
1. Cut off the Power.
2. Open the Installation plate. Dia. 1
3. Let the wire pass through hole in the middle centre of the installation plate. Fit the plate into the ceiling. Dia. 2
4. Hang the spring on the installation plate. Connect the input lines to supply leads with wire nuts, that is: Fire Wire(L) connect to Fire Wire (L) Null Wire(N) connect to Null Line(L), Com Wire connect to Com Wire. (Note: the power cord adopts 16 # with 3 core)
5. Keep the installation plate and gear plate parallel, let the hooks align at the holes on the gear plate; cover the gear plate; Sliding the installation plate to let its hooks hook the gear plate; Lock the installation plate screws tightly. Dia.3
6. Electrically activate the fixture.



Dia. 1:
Loosen the screws



Dia. 2:
Fit the installation plate on to the ceiling with screws in the sunken hole



Dia. 3:
Lock the installation plate screws tightly.