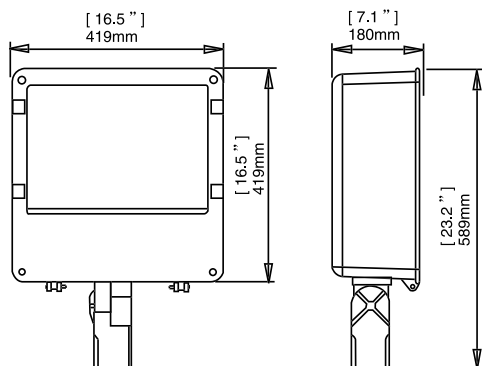


PLEASE FIND A QUALIFIED ELECTRICIAN FOR INSTALLATION.
Please read the instruction before you install and use the luminaire.

83162 LED SHOE BOX FIXTURE 75W/55K/120-277V
83164 LED SHOE BOX FIXTURE 110W/55K/120-277V



SPECIFICATIONS

ITEM#	WATTS	COLOR	LUMENS	CRI	VOLT	INPUT CURRENT
83162	75	5500K	4720	75	120-277V	0.75-0.27A
83164	110	5500K	9374	75	120-277V	1.1-0.4A

With compact design, the Maximum weight is 12.6KGS (27.7lbs); Easy Installing, long lifespan, maintenance-free of LED light source for all lifelong. Efficient constant current output LED professional power, constant current output of 0.7A

For lighting in streets, garages, playground, etc. Suitable for installation height above 3M.

WARNING

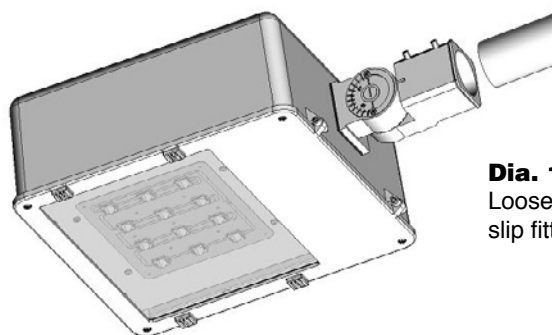
Installation, wiring or maintenance must be handled by professional technicians when power off; to ensure reliable grounding and personal safety.

Power supply and glass shield replacement should be handled by professionals.

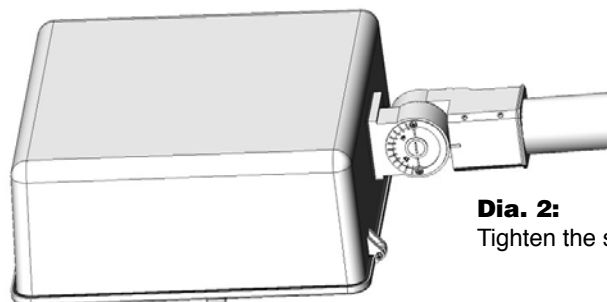
The mounting wall should be of sufficient strength; its endurance force must be greater than the fixture's weight.

INSTALLATION

1. Cut off the Power / Disconnect the circuit.
2. Lamp pole diameter should be less than connection tube diameter of 50-60mm; loosen screws on connection tube(as shown in Dia.1).
3. Lighting angle could be adjusted with slip fitter as per requirement (as shown in Dia.2).
4. Electrical connection. Connect lamp power input line with mains power cord with P3 nuts, that is wire line(L) to wire line(L),zero line(N) to zero line(N). Connect frame ground wire, power supply ground wire and the main ground wire with P3 nuts. Cover the 'L' & 'N' line with the 40mm Heat-shrinkable tubes to ensure safety.
5. Put lamp pole into connection tube, then tighten the screws, the installation is completed.
6. The angle of lighting surface and horizontal level could be 0-15 degrees.



Dia. 1:
Loosen screws on slip fitter.



Dia. 2:
Tighten the screws



Please check DLC website for the most current list of approved items • www.designlights.org
Published lumens on LED products are approximate and may vary slightly.