



# 83238

## LED MEDIUM WALL PACK TECHNICAL DATA SHEET



### FEATURES



#### OUTDOOR NON-CUTOFF AND SEMI-CUTOFF WALL-MOUNTED AREA LUMINAIRES

- Easy installation
- Replaces 100-175W MH

#### HOUSING

- Sealed die-casting profile for outdoor applications.
- Polycarbonate optical lens with UV stabilizers.

#### APPLICATION

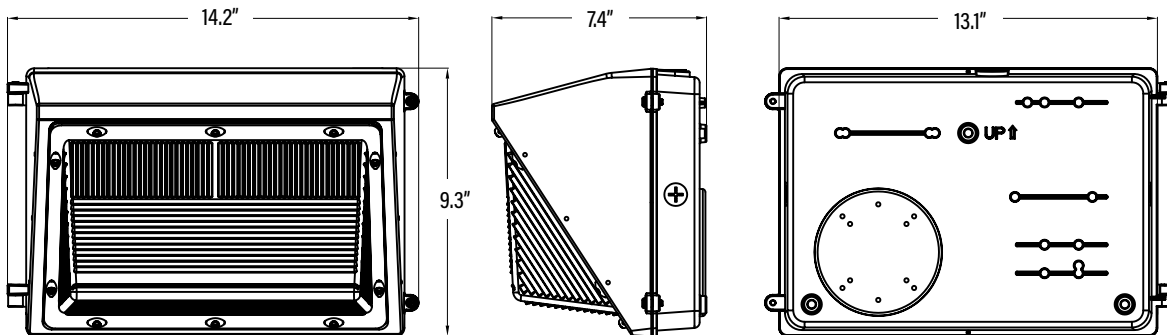
- Security, pathway and perimeter lighting
- Building entry ways and walkways

### SPECIFICATIONS

Power Consumption	45W
Input Voltage	100-277V
Power Factor	0.9
THD	<10%
Lumens	5300
Luminous Efficiency	118 Lm/W
Color Temperature	5000K
CRI	70
Housing	Aluminum Alloy; Grade ADC12
Lens	PC Cover
Finish	Bronze
Dimensions (Inches)	14.2"(L) x 9.3"(W) x 7.4"(D)
LIFESPAN & ENVIRONMENT	
Average Life	50,000
Operating Temperature	-30°C ~ 40°C



### DIMENSIONS



### ORDERING

ITEM#	DESCRIPTION	WATTS	COLOR	LUMENS	CRI	VOLTS	HOUSING	HOURS	CASE
83238	LED MEDIUM WALL PACK 45W/50K/100-277V - SUPERIOR LIFE® DLC	45	5000K	5300	70	100-277	BRONZE	50,000	1

Please check DLC website for the most current list of approved items - [www.designlights.org](http://www.designlights.org)  
Published lumens on LED products are approximate and may vary slightly.

P.Q.L., INC. • 2285 WARD AVENUE • SIMI VALLEY, CA 93065 • 800.323.8107 • FAX: 877.619.7053  
[www.PQLighting.com](http://www.PQLighting.com)