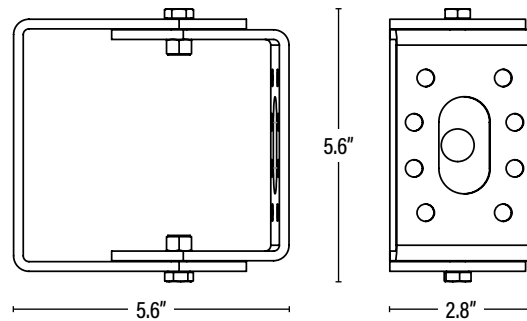


Item#: **83350**
TRUNNION MOUNT
FOR LARGE FLOOD LIGHT/83325
ACCESSORY

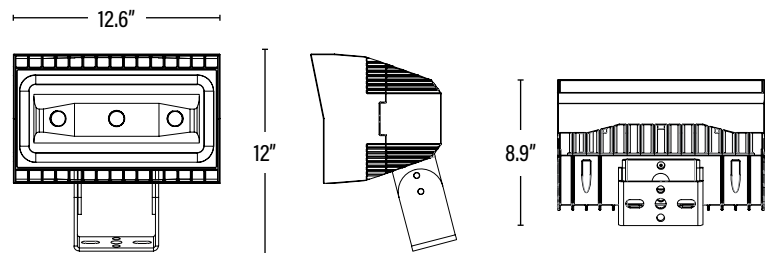


APPLICATION

For use with LED Flood Light 83325

DIMENSIONS (Inches)

Length	5.6"
Width	5.6"
Height	2.8"
Net Weight (Lbs)	--



PACKAGING

		UPC	DIMENSIONS (LxWxH)	GROSS WEIGHT (Lbs)
Master Carton	1	899645001356	--	--
Country of Origin	China			
HS Tariff	9405.99.4090			

ORDERING

ITEM#	DESCRIPTION	CASE
83350	TRUNNION MOUNT ONLY FOR LARGE FLOOD LIGHT - 83325	1

**Note: 83350 is field installed and should be done by a qualified electrician so the integrity of the fixture is not compromised.*

INSTALL

TRUNNION (U-BRACKET) MOUNTING - Should be installed by a qualified electrician.

CAUTION: UL and C-UL listed or CSA certified liquid tight cord grip suitable for use with three conductor type STW flexible cord shall be used for connection to a wet location outlet box (not provided).

To adjust the angle of the fixture using the trunnion:

1. Loosen the Pivot Bolts & angle locking screw.
2. Adjust fixture to desired angle.
3. Tighten Pivot Bolts & angle locking screw.

