



Item#: **83354**  
**LED MINI WALL PACK**  
 OUTDOOR NON-CUTOFF AND SEMI-CUTOFF  
 WALL-MOUNTED AREA LUMINAIRES

**FEATURES**

- Easy installation
- Replaces 25W HID
- With photo cell
- Sealed die-casting profile for outdoor applications.
- Polycarbonate optical lens with UV stabilizers.

**APPLICATION**

Ideal for security, pathway and perimeter lighting, building entry ways and walkways.

**ELECTRICAL**

Wattage	17W
Voltage	120-277V
Current	0.14A
Power Factor	0.9
Total Harmonic Distortion (THD)	15

**LIGHTING PERFORMANCE**

Lumens	1900
Lumens Per Watt (Lm/W)	112
Color Temperature (CCT)	4000K
Color Rendering (CRI)	70
R9 (Red Value)	--
R13 (Skin Tones)	--
Beam Angle	81°
Light Distribution	Type II, Very Short
Dimmable Lighting Control	

**ENVIRONMENT**

Operating Temperature	-13° ~ 104°F
Suitable Location	<b>WET</b>
Ingress Protection Rating	IP65

**LIFESPAN**

Average Life (Hours)	50,000
Warranty (Years)	<b>5</b>

**COMPONENTS**

LED Light Source	Luxeon 3030 2D
Driver	52107

**CONSTRUCTION**

Housing	Aluminum Alloy / PC
Lens	Clear
Base / Power Supply	Hard Wired
Finish	Black

**QUALIFICATIONS**

Model Number	L-MWP-17-40K-B-PC2
--------------	--------------------



Visit [www.designlights.org/search](http://www.designlights.org/search) to confirm qualification. - Published lumens on LED products are approximate and may vary slightly.

PERFORMANCE DATA

PACKAGING

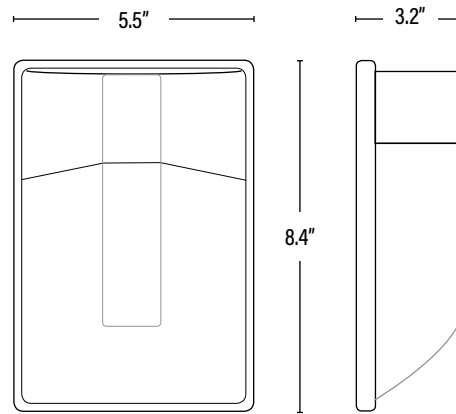
Item#: **83354**  
**LED MINI WALL PACK**



**DIMENSIONS** (Inches)

Length	8.4"
Width/Diameter	5.5"
Height	3.2"
Weight (Lbs)	2.7

Line drawings may not be to scale and are for general reference only.



**SUPPORTING DOCUMENTS** (Grey = not available at this time.)

Product Sheet	VIEW
Install Instructions	VIEW
Photometric	VIEW
IES Download from Web Item	VIEW
LM79	VIEW
LM80	VIEW

**PACKAGING**

		UPC	DIMENSIONS (LxWxH)	GROSS WEIGHT (Lbs)
Master Carton	12	10811768026204	--	--
Individual Box	1	811768026207	--	--
Country of Origin	China			
HS Tariff	9405.40.6000			

**ORDERING** Qualification Model # L-MWP-17-40K-B-PC2

ITEM#	DESCRIPTION	CASE
83354	LED MINI WALL PACK/BLACK/17W/CL/40K/PHOTO CELL/120-277V - SUPERIOR LIFE® DLC®	12

**ACCESSORIES/REPLACEMENT PARTS**

52107	REPLACEMENT DRIVER FOR 17W WALL PACK	1
-------	--------------------------------------	---

**ADDITIONAL INFORMATION:**

**Family Item:** 83355/No Photo Cell

**Note:** To prevent water damage which may shorten the life of an exterior mounted fixture; the fixture should be properly weather sealed according to the installation instructions or between the fixture base and mounting surface. Damage due to improper installation may void the warranty.

PERFORMANCE DATA

PACKAGING