



Item#: **83357**
LED MINI WALL PACK
 OUTDOOR NON-CUTOFF AND SEMI-CUTOFF
 WALL-MOUNTED AREA LUMINAIRES

FEATURES

- Easy installation
- Replaces 50W HID
- Sealed die-casting profile for outdoor applications.
- Polycarbonate optical lens with UV stabilizers.

APPLICATION

Ideal for security, pathway and perimeter lighting, building entry ways and walkways.

ELECTRICAL

Wattage	25W
Voltage	120-277V
Current	0.21A
Power Factor	0.9
Total Harmonic Distortion (THD)	15

LIGHTING PERFORMANCE

Lumens	2500
Lumens Per Watt (Lm/W)	100
Color Temperature (CCT)	4000K
Color Rendering (CRI)	70
R9 (Red Value)	--
R13 (Skin Tones)	--
Beam Angle	84°
Light Distribution	Type III, Very Short
Dimmable Lighting Control	

ENVIRONMENT

Operating Temperature	-13° ~ 104°F
Suitable Location	WET
Ingress Protection Rating	IP65

LIFESPAN

Average Life (Hours)	50,000
Warranty (Years)	5

COMPONENTS

LED Light Source	Luxeon 3030 2D
Driver	52108

CONSTRUCTION

Housing	Aluminum Alloy / PC
Lens	Clear
Base / Power Supply	Hard Wired
Finish	Black

QUALIFICATIONS

Model Number	L-MWP-25-40K-B
--------------	----------------



Visit www.designlights.org/search to confirm qualification. - Published lumens on LED products are approximate and may vary slightly.

PERFORMANCE DATA

PACKAGING

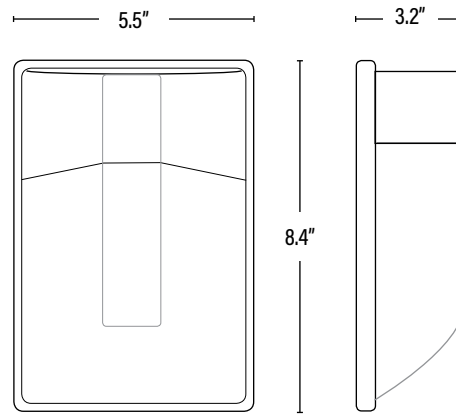
Item#: **83357**
LED MINI WALL PACK



DIMENSIONS (Inches)

Length	8.4"
Width/Diameter	5.5"
Height	3.2"
Weight (Lbs)	2.7

Line drawings may not be to scale and are for general reference only.



SUPPORTING DOCUMENTS (Grey = not available at this time.)

Product Sheet	VIEW
Install Instructions	VIEW
Photometric	VIEW
IES Download from Web Item	VIEW
LM79	VIEW
LM80	VIEW

PACKAGING

		UPC	DIMENSIONS (LxWxH)	GROSS WEIGHT (Lbs)
Master Carton	12	10811768027416	--	--
Individual Box	1	811768027419	--	--
Country of Origin	China			
HS Tariff	9405.40.6000			

ORDERING Qualification Model # L-MWP-25-40K-B

ITEM#	DESCRIPTION	CASE
83357	LED MINI WALL PACK/BLACK/CL/25W/40K/120-277V - SUPERIOR LIFE® DLC®	12

ACCESSORIES/REPLACEMENT PARTS

52108	REPLACEMENT DRIVER FOR 25W WALL PACK	1
-------	--------------------------------------	---

ADDITIONAL INFORMATION:

Family Item: 83356/Photo Cell

Note: To prevent water damage which may shorten the life of an exterior mounted fixture; the fixture should be properly weather sealed according to the installation instructions or between the fixture base and mounting surface. Damage due to improper installation may void the warranty.

PERFORMANCE DATA

PACKAGING